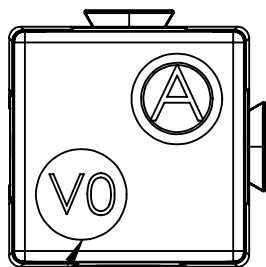
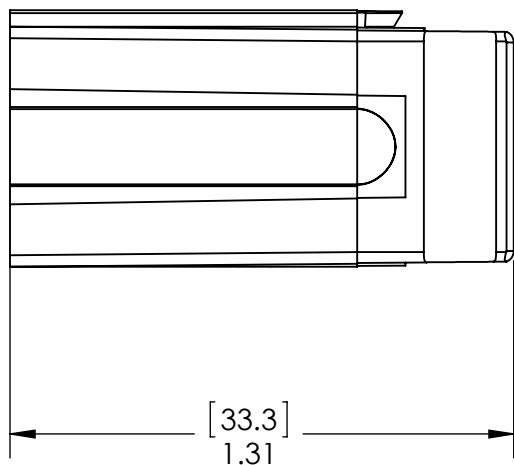


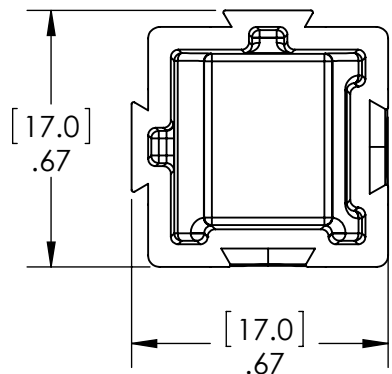
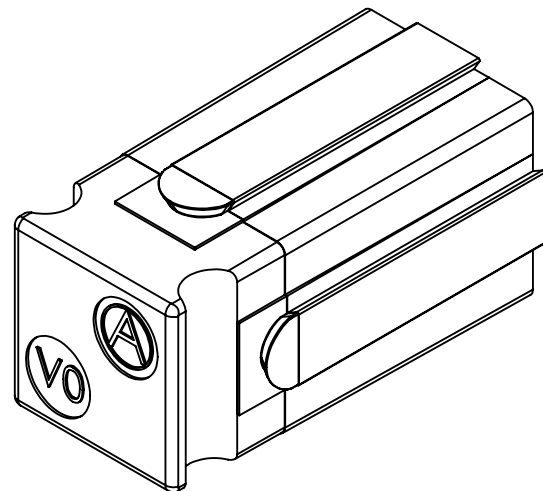
THE INFORMATION CONTAINED IN THIS DRAWING IS THE SOLE PROPERTY OF ANDERSON POWER PRODUCTS. ANY REPRODUCTION IN PART OR WHOLE WITHOUT THE WRITTEN PERMISSION OF ANDERSON POWER PRODUCTS IS PROHIBITED.

Copyright 2012

ANDERSON POWER PRODUCTS RESERVES THE RIGHT TO ALTER PRODUCT TYPES, THEIR TECHNICAL DATA, DIMENSION, STYLE AND ACCESSORIES WITHOUT PRIOR NOTIFICATION.



SEE TABLE FOR MATERIAL ID



POWERPOLE 75 SPACER			
COLOR	MATERIAL	MATERIAL ID	CATALOG NUMBER
RED	POLYCARBONATE	VO	1399G23-BK
RED	PBT+PC	P	1399G24-BK

- NOTES:**
1. THESE SPACERS ARE INTENDED TO PROVIDE A KEYING FEATURE TO POWERPOLE ARRAYS.
 2. 1399G23 SHOWN UNLESS NOTED OTHERWISE

DIMENSIONS ARE IN:		INCH [MM]		APPROVALS		 ANDERSON POWER PRODUCTS		
UNLESS OTHERWISE STATED		DRAWN	MC	10/5/2012	TITLE SALES OUTLINE FOR PP75 SHORT SPACER			
TOLERANCES:		CHECKED	NTS	11/7/2012				
DECIMALS (INCH)	DECIMALS (MM)	ANGLES	MFG APPRV	CHB		11/7/2012		
.XX ± .02	.X ± .5	±2°	QC APPRV	UFN		11/7/2012		
SURFACE FINISH:		MACHINED		128µin [3.2µ]	ENG APPRV BD 11/7/2012	SIZE A	DWG NO. 115205S2	REV. 0
MOLDED		64µin [1.6µ]						
MATERIAL:		FINISH:		-CAD GENERATED DRAWING- DO NOT MANUALLY UPDATE DO NOT SCALE		SCALE	CADFILE	SHEET
						NONE	03829	1 OF 1

REV.	DESCRIPTION	APPRV	DATE
REVISIONS			