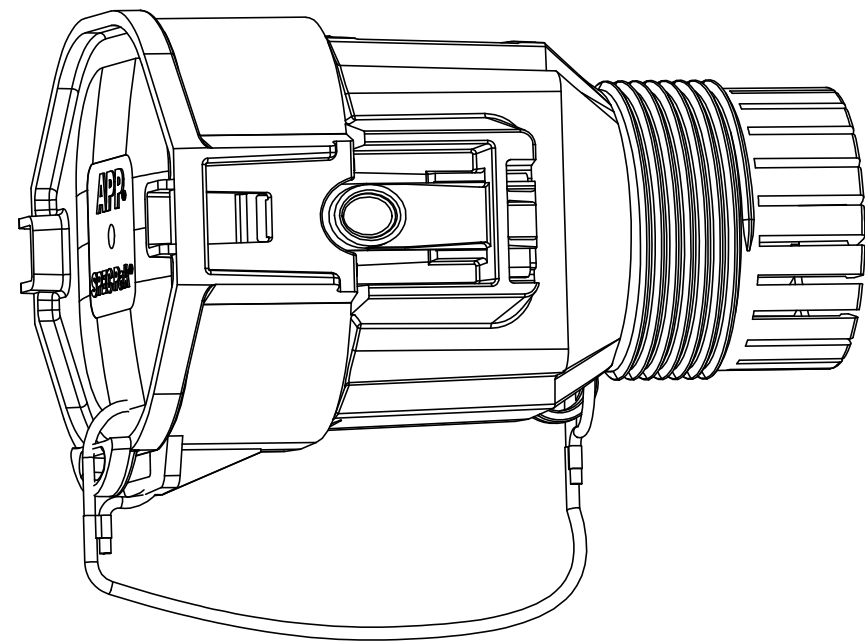
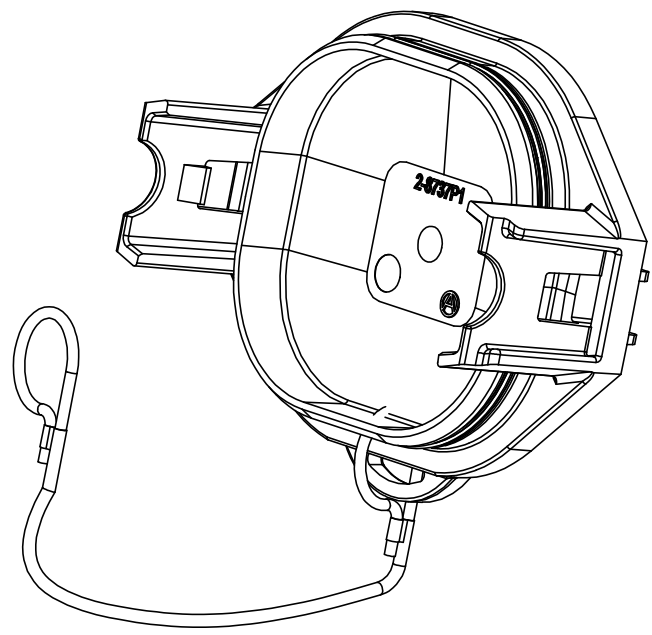


THE INFORMATION CONTAINED IN THIS DRAWING IS THE SOLE PROPERTY OF ANDERSON POWER PRODUCTS. ANY REPRODUCTION IN PART OR WHOLE WITHOUT THE WRITTEN PERMISSION OF ANDERSON POWER PRODUCTS IS PROHIBITED.

Copyright 2012

ANDERSON POWER PRODUCTS RESERVES THE RIGHT TO ALTER PRODUCT TYPES, THEIR TECHNICAL DATA, DIMENSION, STYLE AND ACCESSORIES WITHOUT PRIOR NOTIFICATION.

ITEM	QTY.	DESCRIPTION
1	1	MID POWER SPEC PAK® PLUG COVER
2	1	RING SEAL, BLACK
3	1	BRAIDED LANYARD, BLK



NOTES:

1. MATERIAL:
 - a. COVER- PBT/PC BLEND, UL94 V-0, BLACK
 - b. LANYARD- NYLON/POLYESTER BRAIDED CORD, BLACK
 - c. RING SEAL: NBR
2. LANYARD SHIPS ATTACHED TO THE COVER, ATTACH OPPOSITE END TO PLUG HOUSING AS SHOWN
3. PLUG HOUSING PURCHASED SEPARATELY

P/N: SK9P-076

DIMENSIONS ARE IN:	MM [INCH]	<i>APPROVALS</i>			<i>ANDERSON POWER PRODUCTS</i>		
UNLESS OTHERWISE STATED		DRAWN			TITLE	MID POWER SPEC PAK® PLUG COVER	
TOLERANCES:		CMS	6/12/2012				
DECIMALS (INCH)	DECIMALS (MM)	ANGLES					
.XX ± .02	.X ± .5	±2°					
SURFACE FINISH:		MFG APPRV					
MACHINED	3.2µ [128µin]	CHB	6/22/2012				
MOLDED	1.6µ [64µin]	QC APPRV					
MATERIAL:		UFN	6/22/2012				
SEE NOTES		ENG APPRV					
FINISH:		BD	6/22/2012	SIZE	DWG NO.	REV.	
				A	115163S1	0	
				SCALE	CADFILE	SHEET	
				NONE	03715	1 OF 1	

REV.	DESCRIPTION	APPRV	DATE
REVISIONS			



-CAD GENERATED DRAWING-
DO NOT MANUALLY UPDATE
DO NOT SCALE