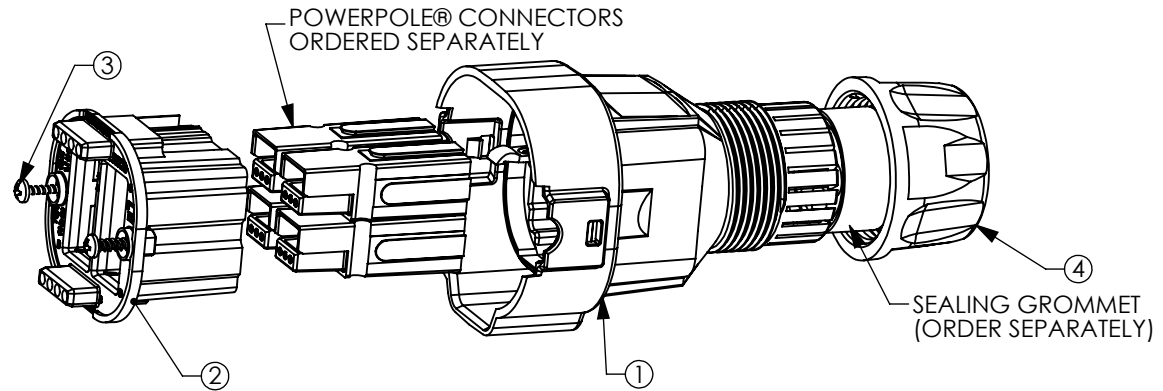


THE INFORMATION CONTAINED IN THIS DRAWING IS THE SOLE PROPERTY OF ANDERSON POWER PRODUCTS. ANY REPRODUCTION IN PART OR WHOLE WITHOUT THE WRITTEN PERMISSION OF ANDERSON POWER PRODUCTS IS PROHIBITED.

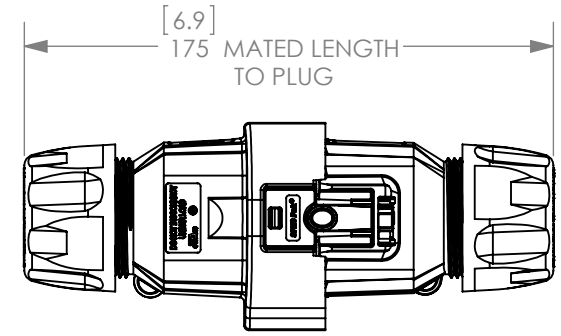
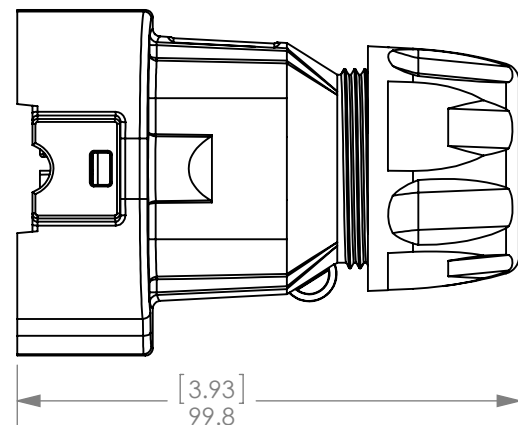
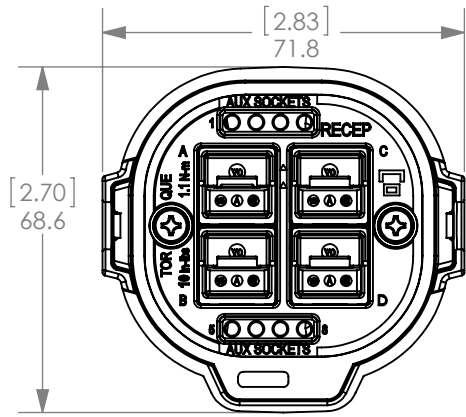
Copyright 2012

ANDERSON POWER PRODUCTS RESERVES THE RIGHT TO ALTER PRODUCT TYPES, THEIR TECHNICAL DATA, DIMENSION, STYLE AND ACCESSORIES WITHOUT PRIOR NOTIFICATION.

EXPLODED VIEW



COMPONENTS INCLUDED		
ITEM	QTY	DESCRIPTION
1	1	IN-LINE RECEPTACLE HSG WITH O-RING
2	1	RECEPTACLE HOLDER FOR PP75
3	2	M3.5 SELF-TAPPING SCREWS
4	1	SEAL NUT



- NOTES:
 1. MATERIAL
 A. RECEPTACLE HOUSING AND HOLDER-PBT BLACK
 2. FOR USE WITH PP75 CONTACTS AND HOUSINGS (ORDERED SEPARATELY)
 3. HOLDER ACCEPTS UP TO EIGHT POWERMOD® SOCKETS (ORDERED SEPARATELY)
 4. REFER TO ASSEMBLY INSTRUCTIONS (1S6575)

KIT PART NO. SK1-076C04

DIMENSIONS ARE IN:	MM [INCH]	APPROVALS			ANDERSON POWER PRODUCTS	
UNLESS OTHERWISE STATED		DRAWN	CMS		5/16/2012	TITLE
TOLERANCES:		CHECKED	LLD	5/24/2012	MID POWER SPEC PAK IN-LINE RECEPTACLE KIT	
DECIMALS (INCH) .XX ±.02		MFG APPRV	CHB	5/24/2012	SIZE	A
DECIMALS (MM) .X ±.5		QC APPRV	UFN	5/24/2012	DWG NO.	115165S1
ANGLES ±2°		ENG APPRV	BD	5/24/2012	REV.	2
SURFACE FINISH:		-CAD GENERATED DRAWING- DO NOT MANUALLY UPDATE DO NOT SCALE		SCALE	NONE	CADFILE
MACHINED 3.2µ [128µin]						03711
MOLDED 1.6µ [64µin]						SHEET
MATERIAL: SEE DATA SHT						1 OF 1
FINISH: N/A						
3rd ANGLE PROJECTION						

REV.	DESCRIPTION	APPRV	DATE
2	ECRN-15403	TWE	5/8/2013
1	ECRN 15149: 115165S1 WAS 115159S1	CMS	5/25/2012
REVISIONS			