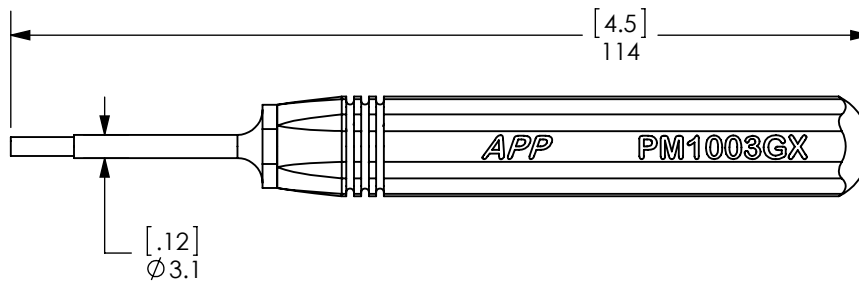
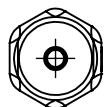
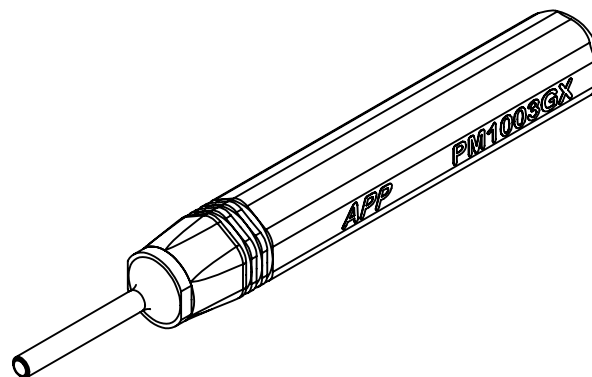


THE INFORMATION CONTAINED IN THIS DRAWING IS THE SOLE PROPERTY OF ANDERSON POWER PRODUCTS. ANY REPRODUCTION IN PART OR WHOLE WITHOUT THE WRITTEN PERMISSION OF ANDERSON POWER PRODUCTS IS PROHIBITED.


Copyright 2015

ANDERSON POWER PRODUCTS RESERVES THE RIGHT TO ALTER PRODUCT TYPES, THEIR TECHNICAL DATA, DIMENSION, STYLE AND ACCESSORIES WITHOUT PRIOR NOTIFICATION.



NOTES:

1. REFER TO 1S6640 FOR USER INSTRUCTIONS
2. MATERIALS:
 - HANDLE- ALUMINUM
 - MANDREL/TUBE - STAINLESS STEEL

DIMENSIONS ARE IN:		MM [INCH]	APPROVALS		 ANDERSON POWER PRODUCTS TITLE CAT. NO. PM1003GX: POWERMOD CONTACT INSERTION PROOF TOOL
UNLESS OTHERWISE STATED			DRAWN		
TOLERANCES:			CMS	2/26/2015	
DECIMALS (INCH)	DECIMALS (MM)	ANGLES	CHECKED		
.XX ±.02	.X ±.5	±2°	NTS	3/13/2015	
SURFACE FINISH:			MFG APPRV		
MACHINED	3.2μ [128μin]	✓	CHB	3/13/2015	
MOLDED	1.6μ [64μin]	✓	QC APPRV		
MATERIAL:			ASF	3/16/2015	
SEE NOTES			ENG APPRV		
FINISH:			CLY	3/16/2015	
SIZE		A	DWG NO.	115432S1	REV. 0
SCALE		NONE	CADFILE	04474	SHEET 1 OF 1

REV.	DESCRIPTION	APPRV	DATE
REVISIONS			