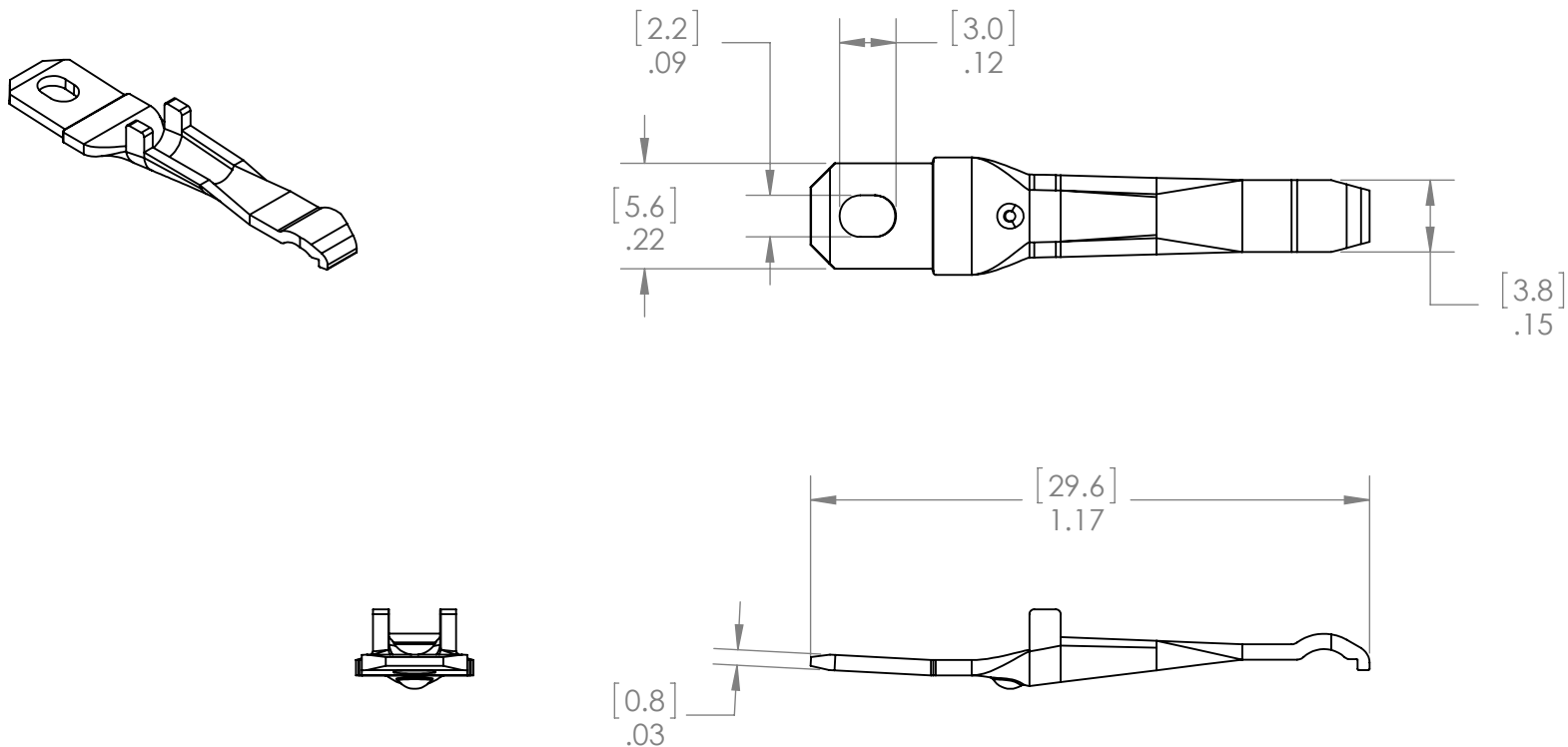


THE INFORMATION CONTAINED IN THIS DRAWING IS THE SOLE PROPERTY OF ANDERSON POWER PRODUCTS. ANY REPRODUCTION IN PART OR WHOLE WITHOUT THE WRITTEN PERMISSION OF ANDERSON POWER PRODUCTS IS PROHIBITED.

**Copyright 2012**

ANDERSON POWER PRODUCTS RESERVES THE RIGHT TO ALTER PRODUCT TYPES, THEIR TECHNICAL DATA, DIMENSION, STYLE AND ACCESSORIES WITHOUT PRIOR NOTIFICATION.



**NOTES:**

- FOR USE WITH ULTRA SHORT SAF-D-GRID® RECEPTACLE HOUSINGS (2006G SERIES).
- CATALOG NUMBER: 2016G1-LPBK (LOOSE PIECE).
- FINISH: 50 μINCH [1.27 μM] SILVER PLATE.

3

REV.	DESCRIPTION	APPRV	DATE
3	ECRN 15619	CLY	4/25/2014
2	ECRN 15410	CLY	5/28/2013
1	ECRN 15242	CLY	9/25/2012

REVISIONS

DIMENSIONS ARE IN:	INCH [MM]	<b>APPROVALS</b>		<b>ANDERSON POWER PRODUCTS</b> TITLE RECEPTACLE CONTACT FOR SAF-D-GRID® ULTRA SHORT
UNLESS OTHERWISE STATED		DRAWN	CLY 6/13/2012	
TOLERANCES:		CHECKED	NTS 6/13/2012	
DECIMALS (INCH)	DECIMALS (MM)	ANGLES		
.XX ± .02	.X ± .5	±2°		
SURFACE FINISH:		MFG APPRV	LLD 6/13/2012	
MACHINED 128μin [3.2μ]		QC APPRV	UFN 6/13/2012	
MOLDED 64μin [1.6μ]		ENG APPRV	BD 6/13/2012	
MATERIAL: COPPER ALLOY		SIZE	A	DWG NO. 115173S1
FINISH: SEE NOTES		SCALE	NONE	CADFILE 03746
3rd ANGLE PROJECTION		-CAD GENERATED DRAWING- DO NOT MANUALLY UPDATE DO NOT SCALE		REV. 3
				SHEET 1 OF 1