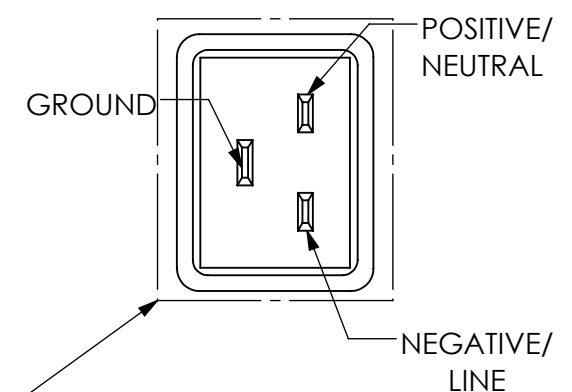
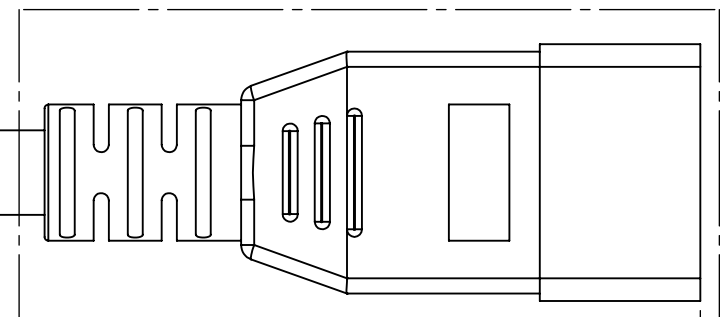
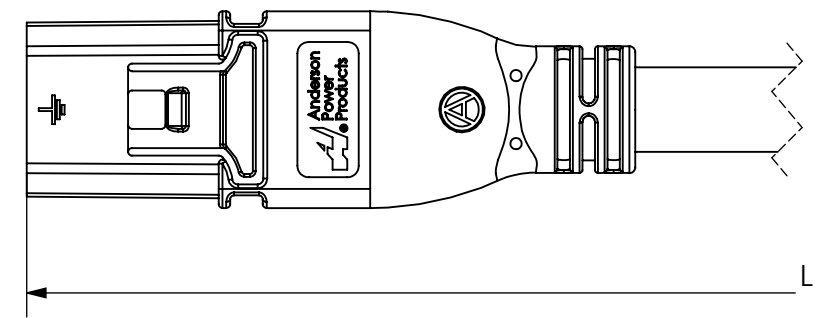
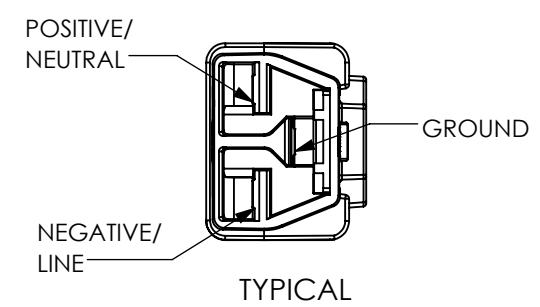


THE INFORMATION CONTAINED IN THIS DRAWING IS THE SOLE PROPERTY OF ANDERSON POWER PRODUCTS. ANY REPRODUCTION IN PART OR WHOLE WITHOUT THE WRITTEN PERMISSION OF ANDERSON POWER PRODUCTS IS PROHIBITED.

Copyright 2019

ANDERSON POWER PRODUCTS RESERVES THE RIGHT TO ALTER PRODUCT TYPES, THEIR TECHNICAL DATA, DIMENSION, STYLE AND ACCESSORIES WITHOUT PRIOR NOTIFICATION.



PLUG COMPLIES WITH IEC 60320- C20 CONFIGURATION. VISUAL REPRESENTATION IS FOR REFERENCE ONLY.

SDG CONNECTOR		CABLE		C20 CONNECTOR	
TYPE	SAF-D-GRID® SERIES (3-5958P2)	TYPE	SJT/H05VV-F	TYPE	IEC 60320 C20
APPROVAL(S)	cURus TO UL 1977, FILE# E26226	APPROVAL(S)	UL/CSA/VDE/CCC	APPROVAL(S)	UL, VDE, CCC
CURRENT	16A	CONDUCTOR SIZE / QTY.	14 AWG/1.5mm ² - 3 COND.	CURRENT	16A (UL/IEC)
VOLTAGE	400V	VOLTAGE RATING	300	MAX VOLTAGE	250V
MAX TEMP	90°C	FLAMMABILITY / TEMP.	70°C	MAX TEMP	70°C
CONTACTS	COPPER ALLOY, SILVER PLATED	JACKET	PVC, BLACK	CONTACTS	Ni PLATED BRASS
HOUSING	POLYCARBONATE, BLACK			HOUSING	PBT, BLACK
OVERMOLD	PVC, BLACK			OVERMOLD	PVC, BLACK

OVERALL RATINGS AND SPECIFICATIONS	
MAX VOLTAGE	250V
MAX CURRENT	16A (UL/IEC)
TEMPERATURE	70°C

PRODUCT NUMBERING AND LENGTHS		
PART NUMBER	LENGTH "L"	
	M	FT
2050KH1-BK	1.0	3.3
2050KH2-BK	2.0	6.6
2050KH3-BK	3.0	9.8
2050KH0R5-BK	.5	1.6

NOTES:

- ASSEMBLIES TO BE 100% CHECKED FOR CONTINUITY, POLARITY AND DIELECTRIC WITHSTAND VOLTAGE AT 2,500 VAC FOR 3 SECONDS.
- PLUG CONTACTS SHALL PASS A TENSILE PULL PER IEC 60352-2.
- ROHS AND REACH COMPLIANT

REV.	DESCRIPTION	APPRV	DATE
2	ECN 2021-0016: ADDED 2050KH0R5-BK	CMS	3/12/2021
1	ECN 2021-0005 - C20 WAS C14, 70°C WAS 50°C	CPD	2/3/2021

DIMENSIONS ARE IN:	MM [INCH]	APPROVALS		ANDERSON POWER PRODUCTS				
UNLESS OTHERWISE STATED		DRAWN	CMS	9/6/2019	TITLE SDG 2050KH SERIES - SDG400 to C20 on, 14 AWG SJT/1.5mm ² H05VV-F, MULTI-COUNTRY			
TOLERANCES:		CHECKED	JWH	9/9/2019				
DECIMALS (INCH)	DECIMALS (MM)	ANGLES	PM APPRV	DSB			9/9/2019	
.XX ± .02	.X ± .5	± 2°	QC APPRV	UFN			9/10/2019	
SURFACE FINISH:		MATERIAL:	ENG APPRV	SH	9/9/2019	SIZE	DWG NO.	REV.
MACHINED	3.2µ [128µin]	SEE TABLE				B	B02599S1	2
MOLDED	1.6µ [64µin]					SCALE	CADFILE	SHEET
FINISH:						NONE	05367	1 OF 1



-CAD GENERATED DRAWING-
DO NOT MANUALLY UPDATE
DO NOT SCALE