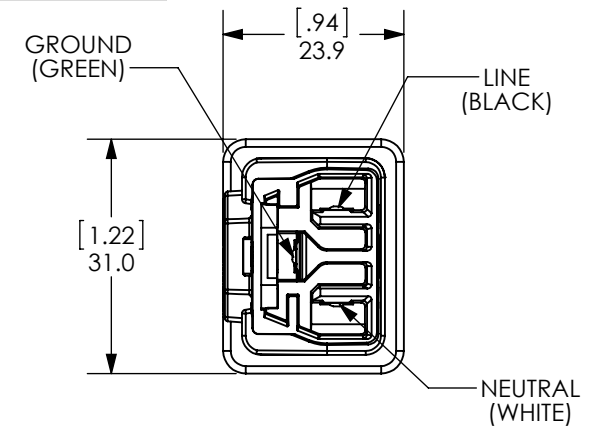
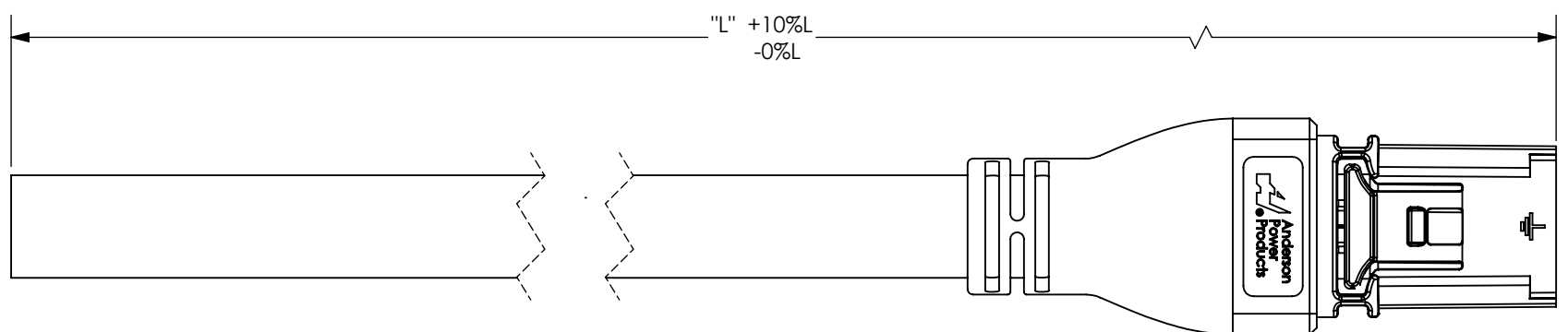


THE INFORMATION CONTAINED IN THIS DRAWING IS THE SOLE PROPERTY OF ANDERSON POWER PRODUCTS. ANY REPRODUCTION IN PART OR WHOLE WITHOUT THE WRITTEN PERMISSION OF ANDERSON POWER PRODUCTS IS PROHIBITED.

Copyright 2015

ANDERSON POWER PRODUCTS RESERVES THE RIGHT TO ALTER PRODUCT TYPES, THEIR TECHNICAL DATA, DIMENSION, STYLE AND ACCESSORIES WITHOUT PRIOR NOTIFICATION.



CONNECTOR		CABLE	
TYPE	SAF-D-GRID® 300 VOLT (3-6075P30)	TYPE	UL 62 LISTED SJT TYPE
KEY CONFIGURATION	KEY "C"(SEE NOTE 1)	CONDUCTOR SIZE / QTY.	10 / 3
APPROVAL	cURus TO UL 1977, FILE# E26226	STRANDING	104 X 30AWG
CONTACTS	COPPER ALLOY, SILVER PLATED	FLAMMABILITY / TEMP.	VW-1 / 90°C
INNER MOLD HOUSING	POLYCARBONATE, BLACK. UL 94 V-0	VOLTAGE RATING	300V AC/DC
OVERMOLD	PVC, BLACK. UL 94 V-2	JACKET	PVC, NOMINAL O.D. 14.7 [.58]
		JACKET COLOR	BLACK

OVERALL RATINGS AND SPECIFICATIONS	
VOLTAGE	300V AC/DC
CURRENT	30A
MAXIMUM OPERATING TEMPERATURE	80°C
<b>CERTIFICATION</b>	<b>INSPECTION</b>
cURus TO UL 817, FILE # E343569	HI POT WIRE TO WIRE 2.5 kV / 3 SEC.
REACH COMPLIANT	POLARITY TESTED 100%
RoHS COMPLIANT	CONTINUITY TESTED 100%
	ELECTRICAL TESTING 100%
	VISUAL INSPECTION 100%

NOTES:  
1) ONLY MATES WITH KEY "C" RECEPTACLES.

PRODUCT NUMBERING AND LENGTHS		
PART NUMBER	LENGTH "L"	
	M	FT
2350-1300-10	1.00	3.28
2350-1300-20	2.00	6.56
2350-1300-30	3.00	9.84
2350-1300-60	6.00	19.68

REV.	DESCRIPTION	APPRV	DATE
1	ECN 2016-0031 PART NUMBER RECONFIGURE	AHR	5/23/2016

DIMENSIONS ARE IN:	MM [INCH]	<b>APPROVALS</b>		<b>ANDERSON POWER PRODUCTS</b> <b>TITLE</b> SAF-D-GRID® SINGLE ENDED POWER CORD, 10 AWG 2350-1300 SERIES		
UNLESS OTHERWISE STATED		<b>DRAWN</b>	TWE 10/20/2015			
TOLERANCES:		<b>CHECKED</b>	AHR 10/26/2015			
DECIMALS (INCH) DECIMALS (MM) ANGLES		<b>MKTG APPRV</b>	RJL 10/26/2015			
.XX ± .02 .X ± .5 ± 2°		<b>QC APPRV</b>	UFN 10/26/2015			
SURFACE FINISH:		<b>ENG APPRV</b>	CLY 10/26/2015	SIZE	DWG NO.	REV.
MACHINED 3.2µ [128µin] ✓				B	B02241S10	1
MOLDED 1.6µ [64µin] ✓				SCALE	CADFILE	SHEET
MATERIAL: SEE TABLE				NONE	04664	1 OF 1
FINISH: N/A				-CAD GENERATED DRAWING- DO NOT MANUALLY UPDATE DO NOT SCALE		

