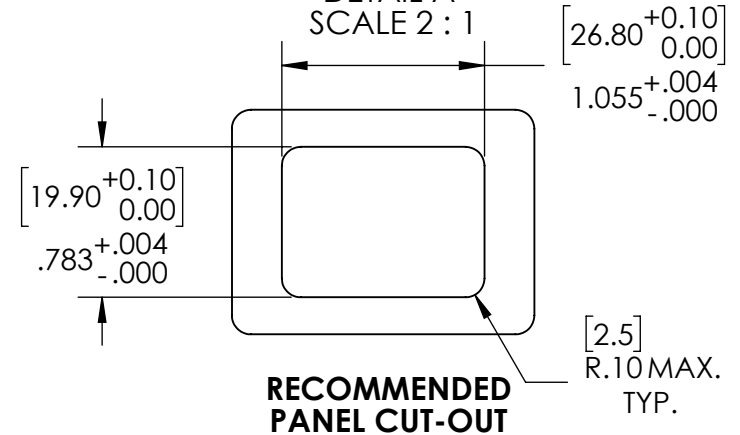
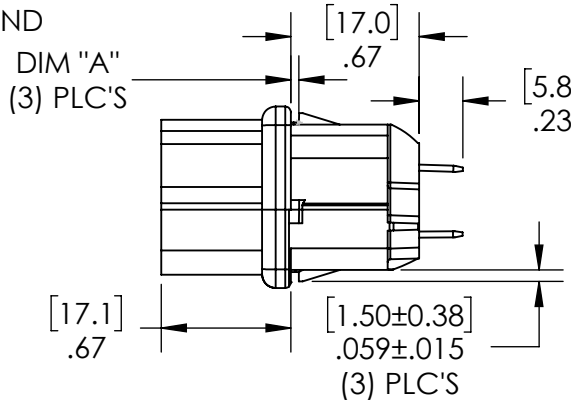
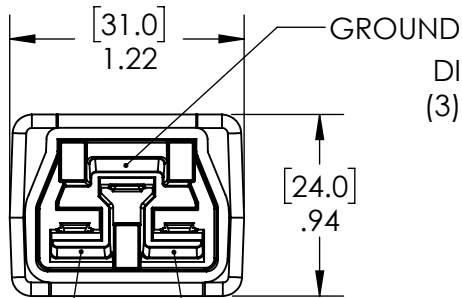
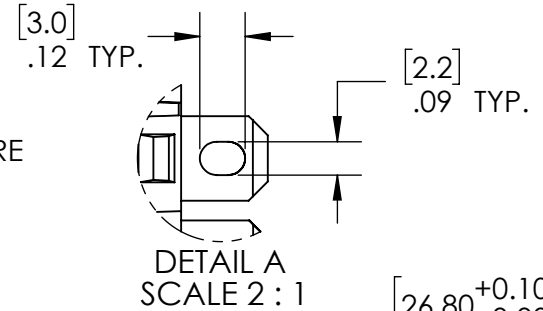
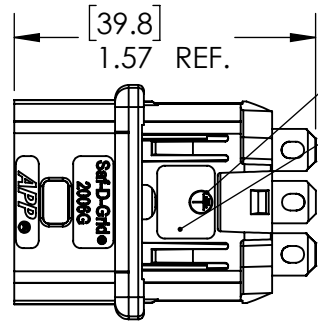
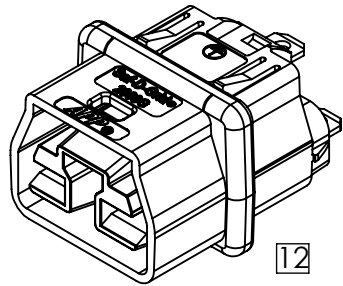


THE INFORMATION CONTAINED IN THIS DRAWING IS THE SOLE PROPERTY OF ANDERSON POWER PRODUCTS. ANY REPRODUCTION IN PART OR WHOLE WITHOUT THE WRITTEN PERMISSION OF ANDERSON POWER PRODUCTS IS PROHIBITED.

Copyright 2012

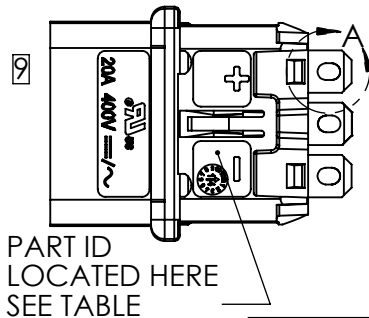
ANDERSON POWER PRODUCTS RESERVES THE RIGHT TO ALTER PRODUCT TYPES, THEIR TECHNICAL DATA, DIMENSION, STYLE AND ACCESSORIES WITHOUT PRIOR NOTIFICATION.



NEGATIVE (-) POSITIVE (+)

NOTES:

- HOUSING MATERIAL: HIGH TEMP. NYLON + 30% GF, UL 94 V-0, HALOGEN FREE
- SPRING MATERIAL: STAINLESS STEEL
- CONTACT MATERIAL: SILVER PLATED COPPER ALLOY
- OR USE WITH IEC320 C14 PANEL CUT-OUTS
- ELECTRICAL RATING:
20A, 600V NOT FOR CURRENT INTERRUPTION
20A, 400V FOR CURRENT INTERRUPTION
- TEMPERATURE RATING: 105°C



CAT. NO.	PANEL THICKNESS		DIM "A" ^{+0.006[0.15]} _{-.004[0.10]}		PART ID	
	INCH	MM	INCH	MM		
11	2006G1-BK	.031	0.80	.041	1.05	"0.8"
11	2006G2-BK	.047	1.20	.056	1.42	"1.2"
11	2006G3-BK	.039	1.00	.048	1.22	"1.0"
11	2006G4-BK	.063	1.60	.072	1.82	"1.6"
11	2006G5-BK	.079	2.00	.088	2.24	"2.0"
11	2006G6-BK	.098	2.50	.107	2.72	"2.5"

REV.	DESCRIPTION	APPRV	DATE
12	ECN 2024-0034: CHANGED GROUND SYMBOL	ACG	3/13/2024
11	ECN 2022-0095 - ADDED -BK TO PART NUMBERS	CPD	8/17/2022
10	ECN 2017-0049 ADDED TEMPERATURE RATING	AHR	5/18/2017
9	ECRN-15571	CLY	2/21/2014
8	ECRN-15520	CLY	11/25/2013
7	ECRN-15441	CLY	7/22/2013
6	ECRN 15377	CLY	4/4/2013
REVISIONS			

DIMENSIONS ARE IN: INCH [MM]	APPROVALS		 ANDERSON POWER PRODUCTS
UNLESS OTHERWISE STATED	DRAWN	6/8/2012	
TOLERANCES:	CHECKED	6/8/2012	
DECIMALS (INCH) .XX ±.02	NTS		
DECIMALS (MM) .X ±.5	ANGLES ±2°		
SURFACE FINISH:	MFG APPRV	6/8/2012	TITLE RECEPTACLE ASSEMBLY WITH CONTACTS, SDG ULTRASHORT, 2006 SERIES
MACHINED 128µin [3.2µ]	CHB		
MOLDED 64µin [1.6µ]	QC APPRV		
MATERIAL: SEE NOTES	HN	6/8/2012	SIZE A DWG NO. 115171S1 REV. 12
FINISH: N/A	ENG APPRV	6/11/2012	
3rd ANGLE PROJECTION	-CAD GENERATED DRAWING- DO NOT MANUALLY UPDATE DO NOT SCALE		SCALE NONE CADFILE 03741 SHEET 1 OF 1