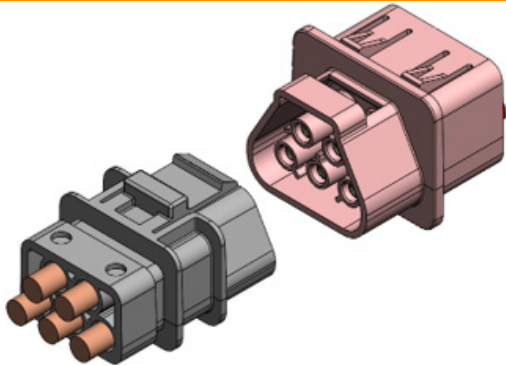


# Saf-D-Grid®

## 3-Phase



Small C13/C14 Form-Factor Size

The Saf-D-Grid 3-Phase is another solution that can help keep up with the ever-increasing demand for more power in the datacenter.

Delivering 2x the power of the original single-phase Saf-D-Grid connector while maintaining the same small footprint, this solution enables a substantial increase in power while requiring no additional space.

### Features & Benefits

- **More Power**  
2x the power of Saf-D-Grid single-phase; 6.65x the power of C13/C14
- **5-Position 3-Phase Connector**  
Up to 480VAC on three 20A lines
- **Compact Form-Factor**  
Same small footprint as C13/C14 Connector
- **Unique Keying Options for Input or Output**  
Safeguard from accidental cross mating
- **Positive Impact on System Cable Requirements**  
Smaller cables = lower cost, increased flexibility and air flow

### Application

- Information & Communication Technology (ICT) Equipment
- Power Supply Unit (PSU)
- Power Distribution Unit (PDU)
- Uninterruptible Power Supply (UPS)

### Your Best Connection™

A leader in developing and manufacturing high current custom connection systems, built to customer specifications and applications. Saf-D-Grid power cords are available in customizable configurations to suit the needs of your particular architecture and can incorporate most common source plugs and appliance connectors.



### SCAN CODE FOR SAF-D-GRID DATASHEET

See the latest parts added to the series and detailed information on SDG mechanical, electrical and material specifications

# ANDERSONPOWER™

Anderson Power Products • 13 Pratts Junction Road • Sterling, MA 01564  
Phone: Customer Service: 978.422.3800 Email: customerservice@andersonpower.com  
Phone: Technical Assistance 978.422.3801 Email: USTechSupport@andersonpower.com



SAF-D-GRID®