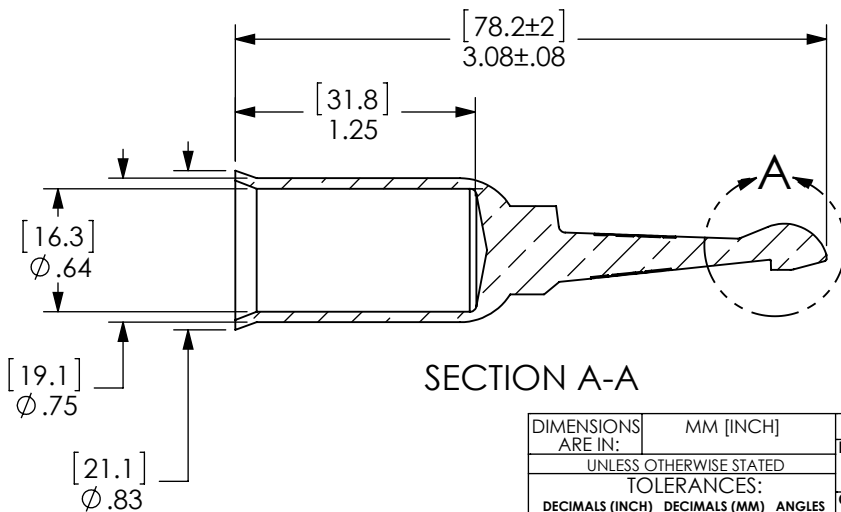
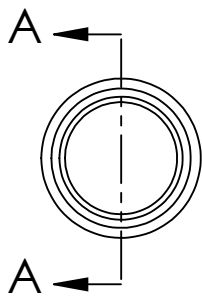
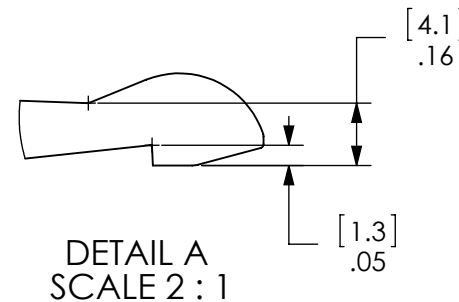
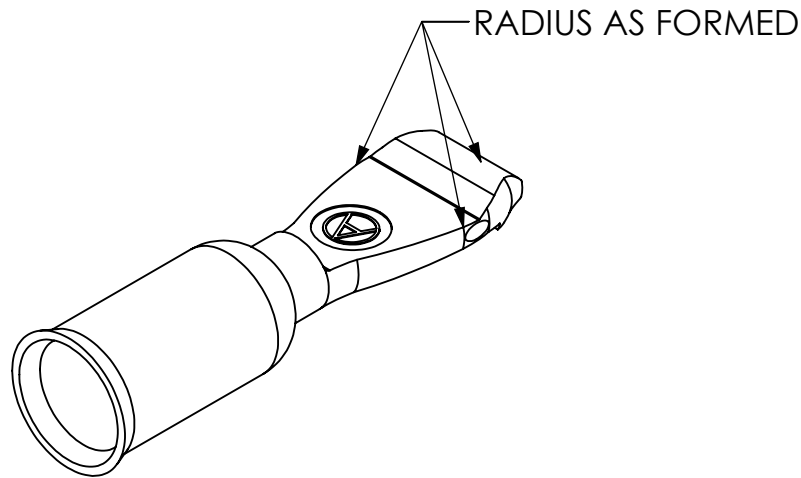
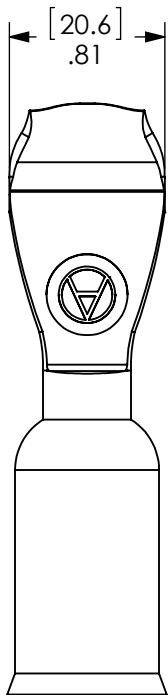


THE INFORMATION CONTAINED IN THIS DRAWING IS THE SOLE PROPERTY OF ANDERSON POWER PRODUCTS. ANY REPRODUCTION IN PART OR WHOLE WITHOUT THE WRITTEN PERMISSION OF ANDERSON POWER PRODUCTS IS PROHIBITED.

Copyright 1999

ANDERSON POWER PRODUCTS RESERVES THE RIGHT TO ALTER PRODUCT TYPES, THEIR TECHNICAL DATA, DIMENSION, STYLE AND ACCESSORIES WITHOUT PRIOR NOTIFICATION.



DIMENSIONS ARE IN: MM [INCH]		APPROVALS		ANDERSON POWER PRODUCTS	
UNLESS OTHERWISE STATED		DRAWN	CMS 7/26/1999		TITLE CATALOG NUMBER 6356 SBE 320/SBX 350 CONTACT FOR 4/0 WIRE
TOLERANCES:		CHECKED	AC 7/27/1999		
DECIMALS (INCH)	DECIMALS (MM)	ANGLES			
.XX ± .02	.X ± .5	±2°			
SURFACE FINISH:		MFG APPRV	CHB 7/27/1999		
MACHINED 3.2µ [128µin]		QC APPRV	DJM 7/28/1999		
MOLDED 1.6µ [64µin]		ENG APPRV	UFN 7/27/1999		
MATERIAL: COPPER		SIZE	A	DWG NO. 114163S3	
FINISH: SILVER PLATE		REV.	1		
		-CAD GENERATED DRAWING- DO NOT MANUALLY UPDATE DO NOT SCALE		SCALE NONE	
		CADFILE 01080		SHEET 1 OF 1	

1	ECRN-15089	TWE	3/20/12
REV.	DESCRIPTION	APPRV	DATE

REVISIONS