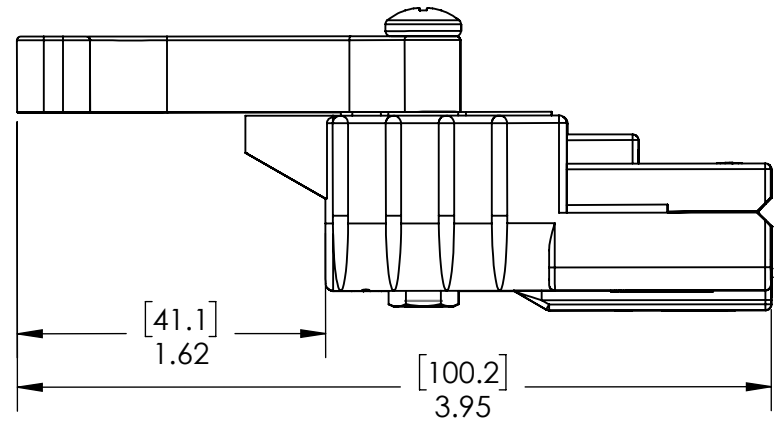
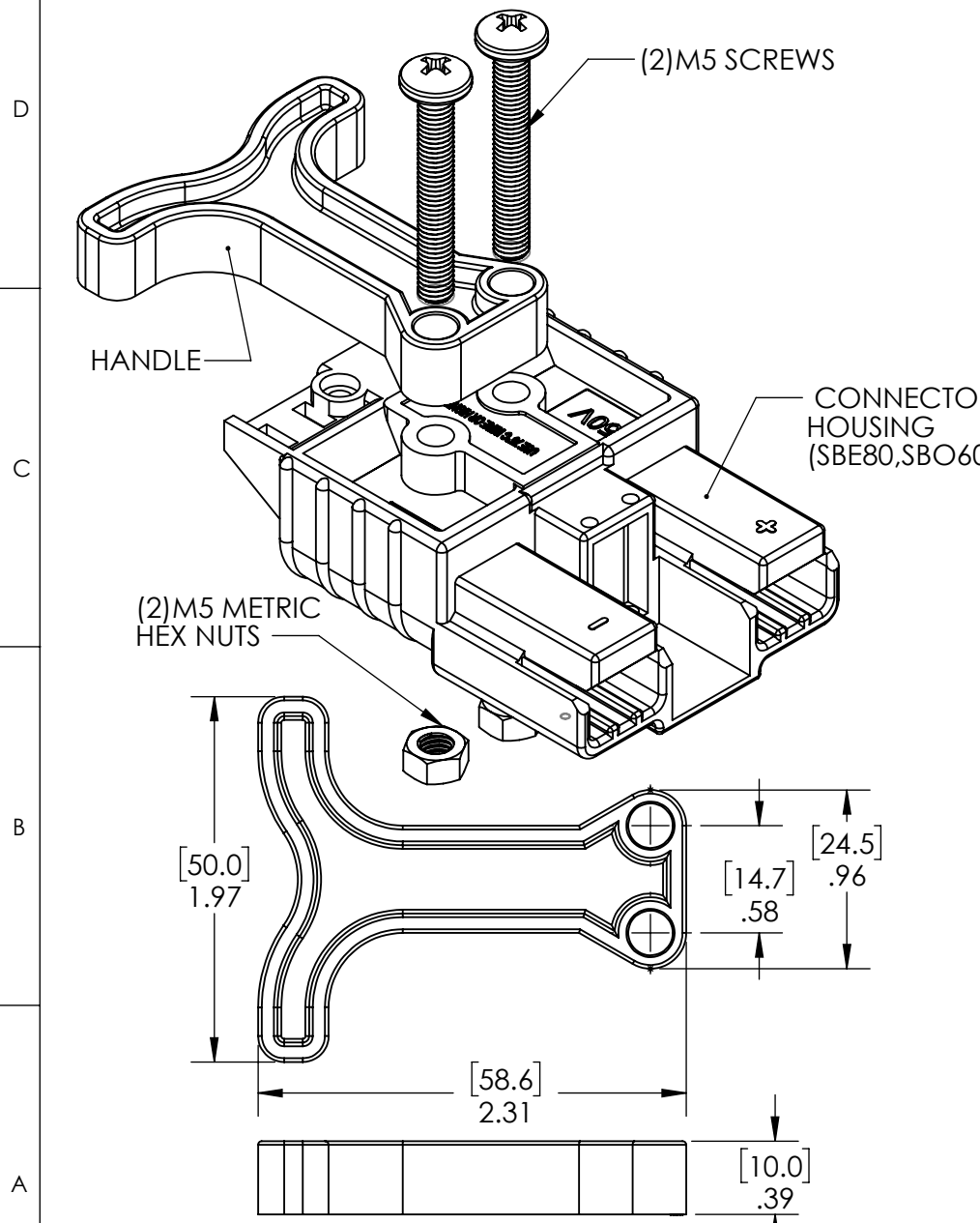


THE INFORMATION CONTAINED IN THIS DRAWING IS THE SOLE PROPERTY OF ANDERSON POWER PRODUCTS. ANY REPRODUCTION IN PART OR WHOLE WITHOUT THE WRITTEN PERMISSION OF ANDERSON POWER PRODUCTS IS PROHIBITED.

Copyright 2012

ANDERSON POWER PRODUCTS RESERVES THE RIGHT TO ALTER PRODUCT TYPES, THEIR TECHNICAL DATA, DIMENSION, STYLE AND ACCESSORIES WITHOUT PRIOR NOTIFICATION.



SBE80 / SBO60 MOUNTING ORIENTATION

CAT. NUMBER	COLOR
SBE80HDLRED	RED
SBO60HDLRED	RED

NOTES:

- CONNECTORS SOLD SEPARATELY
- SCREWS AND NUTS: STEEL, ZINC PLATED
- KIT INCLUDES HANDLE, (2) SCREWS AND (2) NUTS

1	ECRN-15103	TWE	9/10/2010
REV.	DESCRIPTION	APPRV	DATE
REVISIONS			

DIMENSIONS ARE IN:	INCH [MM]	<i>APPROVALS</i>		<p>ANDERSON POWER PRODUCTS</p> <p>TITLE</p> <p>PLASTIC HANDLE FOR USE WITH SBE80 / SBO60 CONNECTOR "V0"</p>
UNLESS OTHERWISE STATED		DRAWN	CMS 4/17/2001	
TOLERANCES:		CHECKED	DJD 4/27/2001	
DECIMALS (INCH)	DECIMALS (MM)	ANGLES		
.XX ±.02	.X ±.5	±2°		
SURFACE FINISH:		MFG APPRV	CHB 4/27/2001	
MACHINED	128µin [3.2µ]	QC APPRV	RPO 4/23/2001	
MOLDED	64µin [1.6µ]	ENG APPRV	CHB 4/27/2001	
MATERIAL:		SIZE	A	DWG NO.
PBT		SCALE	NONE	114305S1
FINISH:		CADFILE	01421	REV.
N/A		SHEET	1 OF 1	1
<p>3rd ANGLE PROJECTION</p>		<p>-CAD GENERATED DRAWING- DO NOT MANUALLY UPDATE DO NOT SCALE</p>		