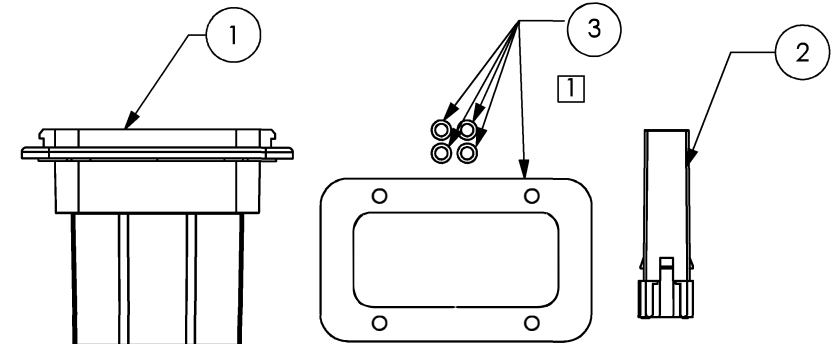
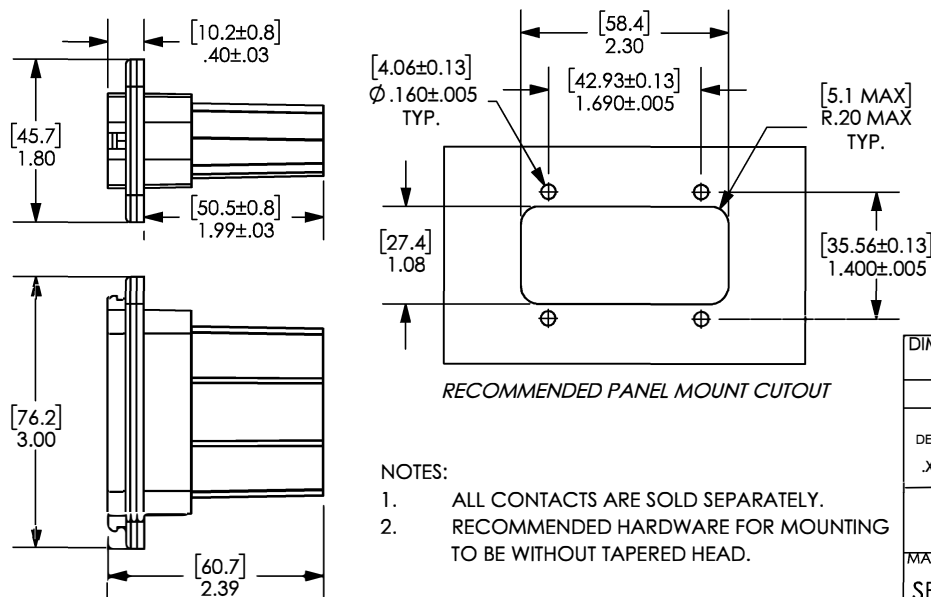
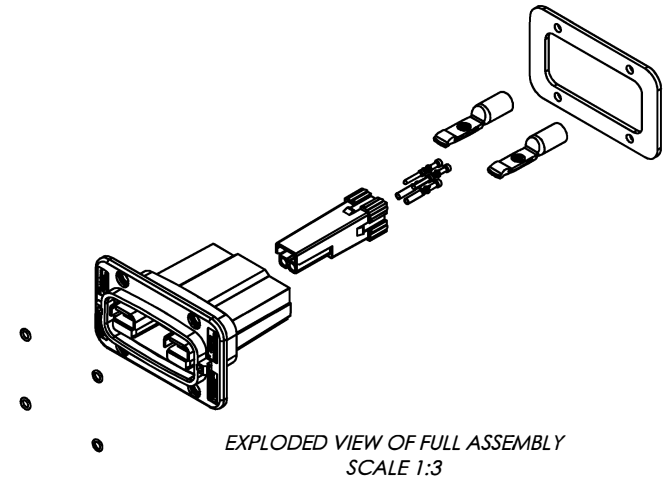


THE INFORMATION CONTAINED IN THIS DRAWING IS THE SOLE PROPERTY OF ANDERSON POWER PRODUCTS. ANY REPRODUCTION IN PART OR WHOLE WITHOUT THE WRITTEN PERMISSION OF ANDERSON POWER PRODUCTS IS PROHIBITED.

Copyright 2022

ANDERSON POWER PRODUCTS RESERVES THE RIGHT TO ALTER PRODUCT TYPES, THEIR TECHNICAL DATA, DIMENSION, STYLE AND ACCESSORIES WITHOUT PRIOR NOTIFICATION.

ITEM NUMBER	KIT PART NUMBER				KITS DESCRIPTION	
	SBSX75A-PMREC-KIT-RED	SBSX75A-PMREC-KIT-BLU	SBSX75A-PMREC-KIT-GRA	SBSX75A-PMREC-KIT-BLK	CONNECTOR KITS CONTAINING THE CONNECTOR ASSEMBLY, SIGNAL HOLDER, PANEL GASKET AND O-RINGS FOR MOUNTING HARDWARE. KIT PART NUMBER IS UNIQUE TO THE COLOR OF THE SIGNAL HOUSING.	
COMPONENT PART NUMBER					MATERIAL	PART DESCRIPTION
1	SBSX75A-PMREC-BLK				PC/PBT	PANEL MOUNT RECEPTACLE HOUSING
2	2-8840P1	2-8840P2	2-8840P3	2-8840P4	PC	SIGNAL CONTACT HOUSING
COLOR	(RED)	(BLUE)	(GRAY)	(BLACK)	-	-
3	108G1 <span style="border: 1px solid black; padding: 0 2px;">1</span>				SILICONE	HARDWARE O-RINGS
					NBR	PANEL MOUNT GASKET



DIMENSIONS ARE IN:		INCH [MM]		APPROVALS		ANDERSON POWER PRODUCTS	
UNLESS OTHERWISE STATED				DRAWN		TITLE	
TOLERANCES:				JWH		2/1/2022	
DECIMALS (INCH) DECIMALS (MM) ANGLES				CHECKED		SEALED SBS@X - 75A	
.XX ± .02 X ± .5 ± 2°				CMS		PANEL MOUNT RECEPTACLE CONNECTOR	
SURFACE FINISH:				PM APPRV		COA	
MACHINED 128µin [3.2µ] ✓				CM		3/22/2022	
MOLDED 64µin [1.6µ] ✓				QC APPRV		3332	
MATERIAL:				UFN		3/25/2022	
SEE TABLE				ENG APPRV		PROD. LINE	
FINISH:				SH		SBS@X-75A	
3rd ANGLE PROJECTION				SIZE		DWG NO.	
-CAD GENERATED DRAWING- DO NOT MANUALLY UPDATE DO NOT SCALE				A		115990S1	
SCALE				CADFILE		REV.	
NONE				05477		1	
SHEET				1 OF 1			

1	ECN 2022-0087   UPDATE BOM	JWH	12/13/2022
REV.	DESCRIPTION	APPRV	DATE
REVISIONS			