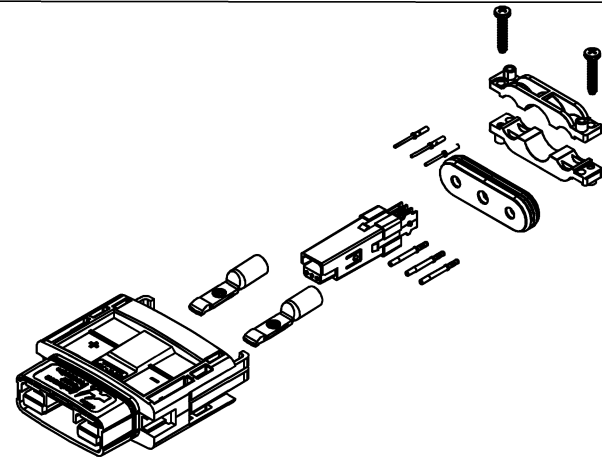


THE INFORMATION CONTAINED IN THIS DRAWING IS THE SOLE PROPERTY OF ANDERSON POWER PRODUCTS. ANY REPRODUCTION IN PART OR WHOLE WITHOUT THE WRITTEN PERMISSION OF ANDERSON POWER PRODUCTS IS PROHIBITED.

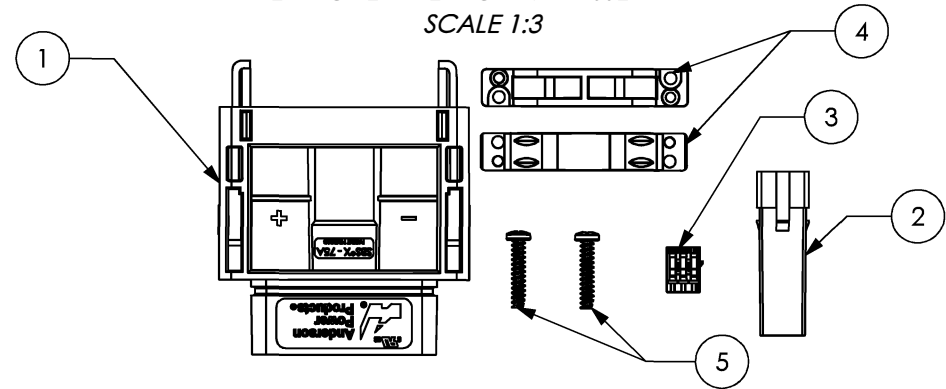
Copyright 2022

ANDERSON POWER PRODUCTS RESERVES THE RIGHT TO ALTER PRODUCT TYPES, THEIR TECHNICAL DATA, DIMENSION, STYLE AND ACCESSORIES WITHOUT PRIOR NOTIFICATION.

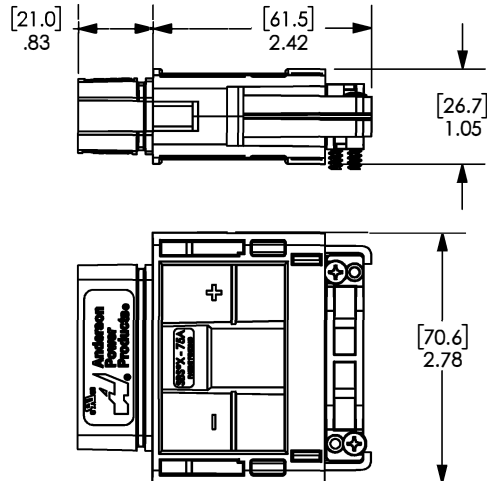
KIT PART NUMBER		KIT DESCRIPTION		
SBSX-75A-6AUX-PLUG-KIT-WHT		CONNECTOR KITS CONTAINING THE CONNECTOR ASSEMBLY, SIGNAL HOUSING, SIGNAL HOLDER, CABLE CLAMPS AND CLAMP SCREWS. KIT PART NUMBER IS UNIQUE TO THE COLOR OF THE SIGNAL HOUSING.		
ITEM NO.	COMPONENT	MATERIAL	DESCRIPTION	QTY.
1	SBSX-75A-PLUG-BLK	PC/PBT	PLUG HOUSING W/ LATCHES & O-RING	1
2	2-8860P1	PC	SIGNAL CONTACT CENTER HOUSING - WHITE	1
3	2-8859P1	PC	SIGNAL CONTACT HOLDER	1
4	2-8841P1	PC/PBT	CABLE CLAMPS	2
5	H1120P62	STAINLESS STEEL	CABLE CLAMP SCREWS	2



EXPLODED VIEW OF FULL ASSEMBLY
SCALE 1:3



KIT CONTENTS



NOTES:

- CONTACTS AND GROMMET ARE SOLD SEPARATELY
- SIGNAL USES PPMX CONTACTS
- ASSEMBLE PER 1S6869

DIMENSIONS ARE IN: INCH [MM]		APPROVALS		ANDERSON POWER PRODUCTS	
UNLESS OTHERWISE STATED		DRAWN EYY 6/29/2022		TITLE SBS@X-75A 6-AUX PLUG CONNECTOR ASSEMBLY	
TOLERANCES: DECIMALS (INCH) DECIMALS (MM) ANGLES .XX ± .02 X ± .5 ± 2°		CHECKED CS 6/29/2022		PM APPR CM 7/5/2022	
SURFACE FINISH: MACHINED 128µin [3.2µ] ✓ MOLDED 64µin [1.6µ] ✓		QC APPR MV 7/6/2022		COA 5486 PROD. LINE SBS@X-75A	
MATERIAL: SEE TABLE		ENG APPR CD 7/5/2022		SIZE A DWG NO. 116108S1 REV. 0	
FINISH:		-CAD GENERATED DRAWING- DO NOT MANUALLY UPDATE DO NOT SCALE		SCALE 1:2 CADFILE 05971 SHEET 1 OF 1	

REV.	DESCRIPTION	APPRV	DATE
REVISIONS			