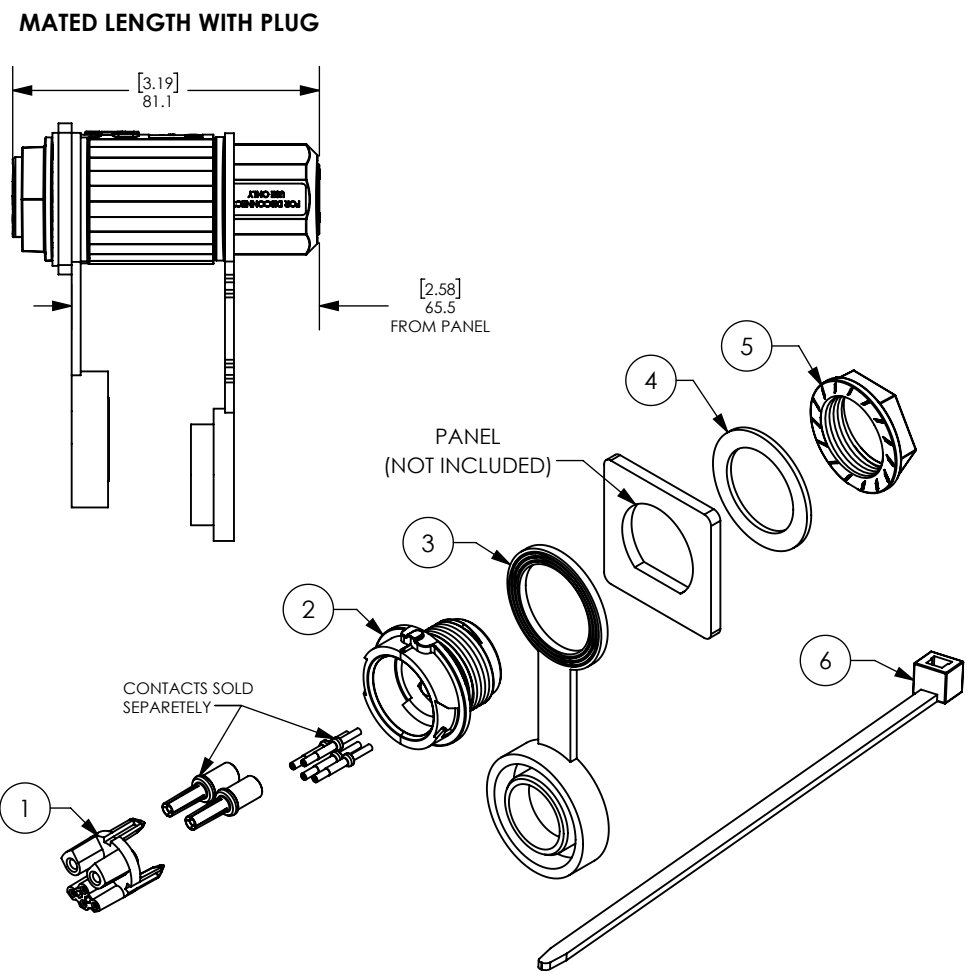


THE INFORMATION CONTAINED IN THIS DRAWING IS THE SOLE PROPERTY OF ANDERSON POWER PRODUCTS. ANY REPRODUCTION IN PART OR WHOLE WITHOUT THE WRITTEN PERMISSION OF ANDERSON POWER PRODUCTS IS PROHIBITED.

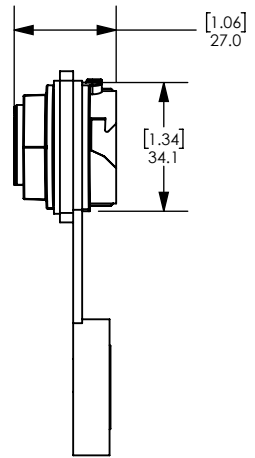
**Copyright 2024**

ANDERSON POWER PRODUCTS RESERVES THE RIGHT TO ALTER PRODUCT TYPES, THEIR TECHNICAL DATA, DIMENSION, STYLE AND ACCESSORIES WITHOUT PRIOR NOTIFICATION.

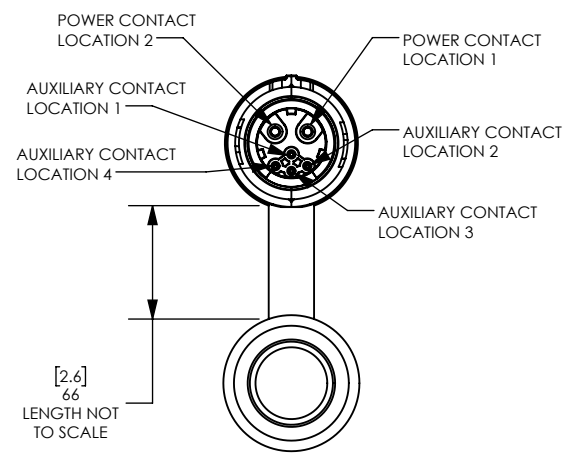
KIT PART NUMBER	KIT DESCRIPTION		
<b>SK7-034M06</b>	CONNECTOR KIT CONTAINING THE PANEL MOUNT FEMALE RECEPTACLE CONNECTOR ASSEMBLY		
ITEM NUMBER	PART DESCRIPTION	MATERIAL	QTY
1	SOCKET CONTACT RETAINER	PC	1
2	PANEL MOUNT RECEPTACLE HOUSING	PBT/PC	1
3	PANEL GASKET/COVER	SANTOPRENE	1
4	BACKSIDE GASKET	NBR	1
5	PANEL MOUNT NUT	PBT/PC	1
6	203MM X 3.6MM CABLE TIE	POLYAMIDE	1



**SIDE VIEW**



**FRONT VIEW**



**NOTES:**

- INGRESS PROTECTION: IP68 IN MATED CONDITION  
\*COVER IP20 RATED WHEN CLOSED
- 3.5MM MAX PANEL SIZE
- CONTACTS SOLD SEPARATELY
- CONTACTS AVAILABLE AS CRIMP OR SOLDER TERMINATIONS
- MAX INSULATION DIAMETER:  
POWER: 6.73MM [.265 IN]  
AUX: 1.98MM [.078 IN]

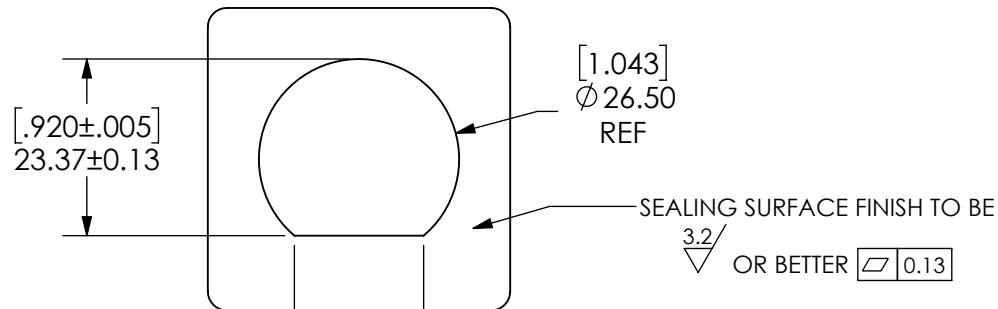
DIMENSIONS ARE IN:		MM [INCH]		<b>APPROVALS</b>		<b>ANDERSONPOWER™</b>	
UNLESS OTHERWISE STATED							
TOLERANCES:				DRAWN AJL 1/5/2024	TITLE 6P MINI SPEC PAK® PANEL MOUNT FEMALE RECEPTACLE KIT		
DECIMALS (INCH)	DECIMALS (MM)	ANGLES					
.XX ±.02	.X ±.5	±2°		MKT APPRV CM 5/10/2024			
SURFACE FINISH:				QC APPRV UFN 5/13/2024	COA 4357		
MACHINED 3.2µ [128µin] ✓ MOLDED 1.6µ [64µin] ✓					ENG APPRV SH 5/13/2024	PROD. LINE SPEC PAK	
MATERIAL: SEE TABLE				FINISH:	SIZE A	DWG NO. 116138S1	REV. 0
3rd ANGLE PROJECTION					SCALE 1:2	CADFILE 06071	SHEET 1 OF 2

THE INFORMATION CONTAINED IN THIS DRAWING IS THE SOLE PROPERTY OF ANDERSON POWER PRODUCTS. ANY REPRODUCTION IN PART OR WHOLE WITHOUT THE WRITTEN PERMISSION OF ANDERSON POWER PRODUCTS IS PROHIBITED.

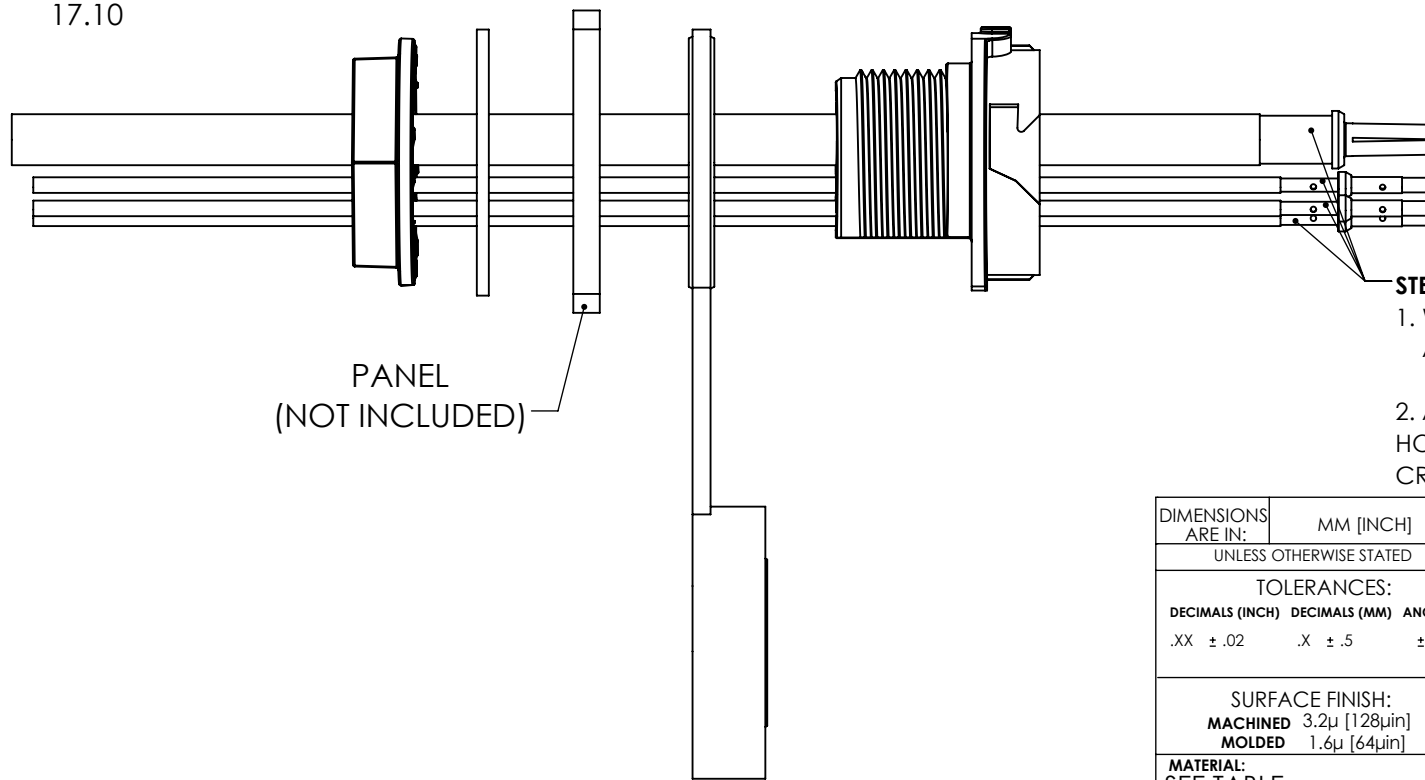
**Copyright 2024**

ANDERSON POWER PRODUCTS RESERVES THE RIGHT TO ALTER PRODUCT TYPES, THEIR TECHNICAL DATA, DIMENSION, STYLE AND ACCESSORIES WITHOUT PRIOR NOTIFICATION.

**RECOMMENDED PANEL CUTOUT**



**WIRE TERMINATION SEQUENCE FOR ASSEMBLY**



CONTACT RETAINER INSERTED OVER CONTACTS FROM FRONTSIDE

**STEPS:**

1. WIRES FED THROUGH ENTIRE ASSEMBLY & HOUSING
2. AFTER WIRES FED THROUGH HOUSING, CONTACTS MAY BE CRIMPED/SOLDERED

DIMENSIONS ARE IN:		MM [INCH]	<b>ANDERSONPOWER™</b>	
UNLESS OTHERWISE STATED				
TOLERANCES:			TITLE 6P MINI SPEC PAK® PANEL MOUNT FEMALE RECEPTACLE KIT	
DECIMALS (INCH)	DECIMALS (MM)	ANGLES		
.XX ± .02	.X ± .5	±2°		
SURFACE FINISH:			COA NO. 4357	
MACHINED	3.2µ [128µin]	✓	PROD. LINE SPEC PAK	
MOLDED	1.6µ [64µin]	✓		
MATERIAL: SEE TABLE			SIZE A	DWG NO. 116138S1
FINISH:			SCALE NONE	REV. 0
3rd ANGLE PROJECTION			CADFILE 06071	SHEET 2 OF 2