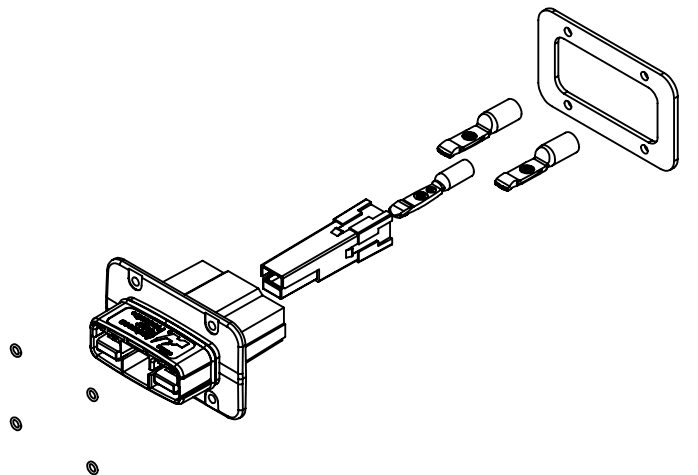


THE INFORMATION CONTAINED IN THIS DRAWING IS THE SOLE PROPERTY OF ANDERSON POWER PRODUCTS. ANY REPRODUCTION IN PART OR WHOLE WITHOUT THE WRITTEN PERMISSION OF ANDERSON POWER PRODUCTS IS PROHIBITED.

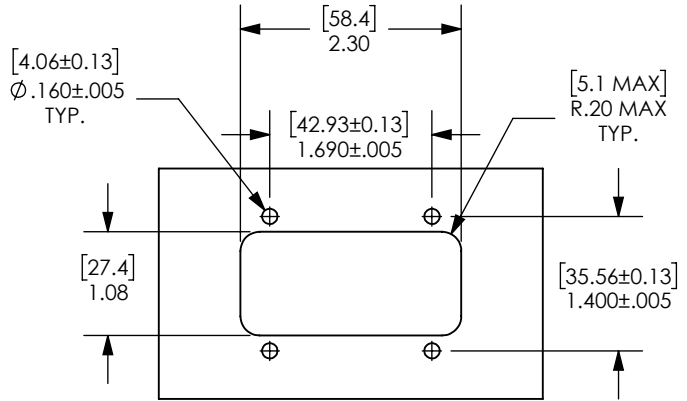
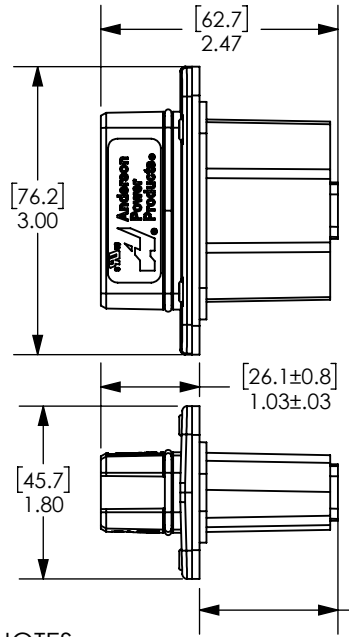
Copyright 2022

ANDERSON POWER PRODUCTS RESERVES THE RIGHT TO ALTER PRODUCT TYPES, THEIR TECHNICAL DATA, DIMENSION, STYLE AND ACCESSORIES WITHOUT PRIOR NOTIFICATION.

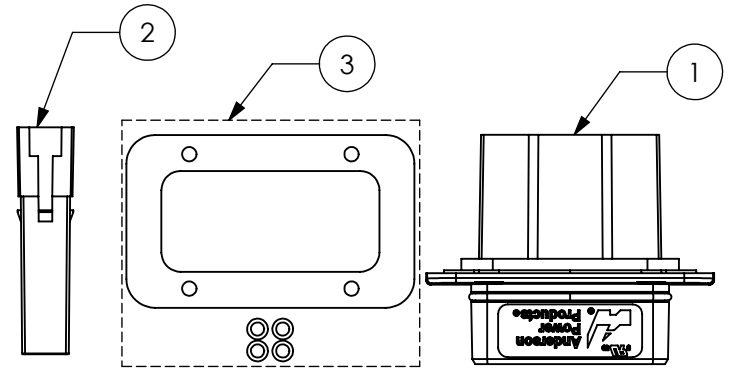
KIT PART NUMBER		KITS DESCRIPTION		
[1] SBSX75A-GND-PMPLUG-KIT-GRN		CONNECTOR KITS CONTAINING THE CONNECTOR ASSEMBLY, CENTER GROUND HOUSING AND SEALING KIT.		
ITEM NUMBER	COMPONENT PART NUMBER	MATERIAL	PART DESCRIPTION	QTY
1	SBSX75A-PMPLUG-BLK	PC/PBT	PANEL MOUNT RECEPTACLE HOUSING	1
2	B02893G1 [1]	PC/ STAINLESS STEEL	GROUND HOUSING ASSEMBLY - GREEN	1
4	108G1	SILICONE/NBR	SEALING KIT WITH GASKET AND O-RINGS	2



EXPLODED VIEW OF FULL ASSEMBLY
SCALE 1:3



RECOMMENDED PANEL MOUNT CUTOUT



- NOTES:
- CONTACTS ARE SOLD SEPARATELY
 - ASSEMBLE PER 1S6859
 - RECOMMENDED HARDWARE FOR MOUNTING TO BE WITHOUT TAPERED HEAD.

DIMENSIONS ARE IN:		INCH [MM]		APPROVALS		ANDERSON POWER PRODUCTS	
UNLESS OTHERWISE STATED				DRAWN		TITLE	
TOLERANCES:				JWH	12/5/2022	SBS@X - 75A	
DECIMALS (INCH)		DECIMALS (MM)		CHECKED		GROUND PANEL MOUNT	
.XX ±.02	.X ±.5	±2°		CPD	1/4/2023	PLUG ASSEMBLY	
SURFACE FINISH:				PM APPRV		COA	
MACHINED		128µin [3.2µ]		CM	1/5/2023	4439	PROD. LINE
MOLDED		64µin [1.6µ]		QC APPRV		SBS@X-75A	
MATERIAL:				MV	1/9/2023	SIZE	
SEE TABLE				ENG APPRV		A	DWG NO.
FINISH:				SH	1/5/2023	116143S1	
3rd ANGLE PROJECTION				-CAD GENERATED DRAWING- DO NOT MANUALLY UPDATE DO NOT SCALE		SCALE	CADFILE
				1:2		06077	SHEET
						1 OF 1	

REV.	DESCRIPTION	APPRV	DATE
1	ECN 2023-0015 UPDATE P/N & NOTES	JWH	2/24/2023
REVISIONS			