

THE INFORMATION CONTAINED IN THIS DRAWING IS THE SOLE PROPERTY OF ANDERSON POWER PRODUCTS. ANY REPRODUCTION IN PART OR WHOLE WITHOUT THE WRITTEN PERMISSION OF ANDERSON POWER PRODUCTS IS PROHIBITED.

Copyright 2024

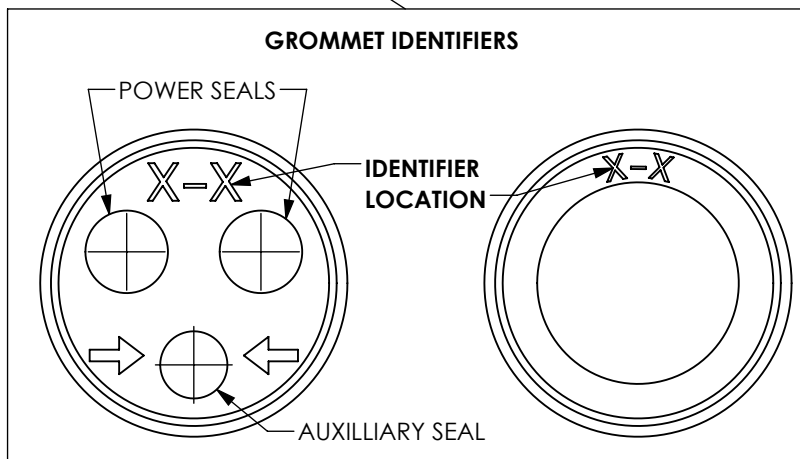
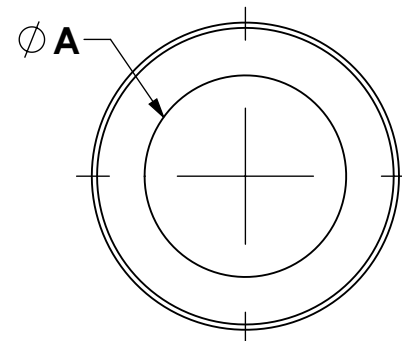
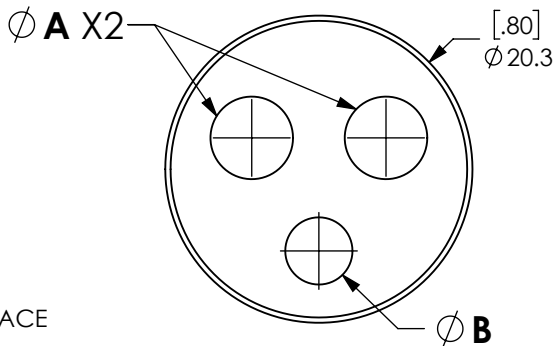
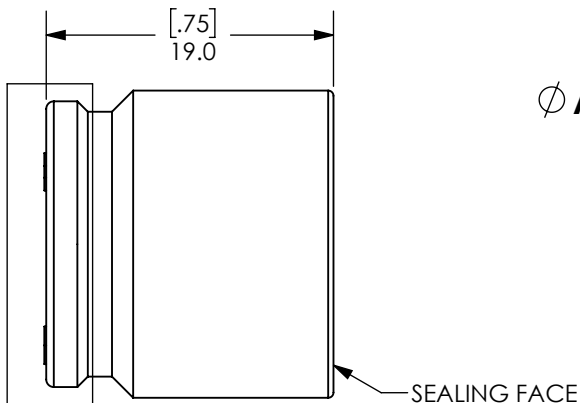
ANDERSON POWER PRODUCTS RESERVES THE RIGHT TO ALTER PRODUCT TYPES, THEIR TECHNICAL DATA, DIMENSION, STYLE AND ACCESSORIES WITHOUT PRIOR NOTIFICATION.

DISCRETE WIRE SEALS

*FOR USE IN PLUG & INLINE RECEPTACLE
KIT P/N'S: SK1-034M06 & SK6-034M06

SINGLE JACKET SEAL

*ONLY FOR USE IN INLINE RECEPTACLE
KIT P/N: SK6-034M06



P/N	IDENTIFIER MARK	NO. OF HOLES	DISCRETE POWER JACKET (DIAMETER RANGE)		JACKETED SIGNAL (DIAMETER RANGE)	
			Ø A		Ø B	
			INCH	MM	INCH	MM
D-220-180-SP	D-A	3	.220-.240	5.59-6.10	.180-.200	4.57-5.08
D-220-220-SP	D-B		.220-.240	5.59-6.10	.220-.240	5.59-6.10
D-240-180-SP	D-C		.240-.260	6.10-6.60	.180-.200	4.57-5.08
D-240-220-SP	D-D		.240-.260	6.10-6.60	.220-.240	5.59-6.10
J-530-SP	J-A	1	.530-.550	13.46-14	N/A	N/A

NOTES:

- FOR USE IN 6P MINI SPEC PAK® ONLY
- CONTACT MANUFACTURER FOR CUSTOM GROMMETS
- MAX POSSIBLE INSULATION DIAMETER:
 POWER: 6.73MM [.265in]
 4C JACKETED AUX: 6.60 MM [.260in]

DIMENSIONS ARE IN:	MM [INCH]	APPROVALS		ANDERSONPOWER™	
UNLESS OTHERWISE STATED		DRAWN		TITLE 6P MINI SPEC PAK® GROMMETS	
TOLERANCES: DECIMALS (INCH) DECIMALS (MM) ANGLES .XX ±.02 .X ±.5 ±2°		AJL	12/8/2023		
SURFACE FINISH: MACHINED 3.2µ [128µin] ✓ MOLDED 1.6µ [64µin] ✓		CHECKED	JWH	5/13/2024	COA 4357
MATERIAL: EPDM		MKT APPRV	CM	5/16/2024	
FINISH:		QC APPRV	MV	5/22/2024	SIZE A
3rd ANGLE PROJECTION		ENG APPRV	SH	5/22/2024	DWG NO. 116196S1
		-CAD GENERATED DRAWING- DO NOT MANUALLY UPDATE DO NOT SCALE		SCALE NONE	CADFILE 06277
				REV. 0	SHEET 1 OF 1

REV.	DESCRIPTION	APPRV	DATE
REVISIONS			