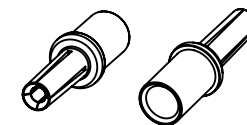


THE INFORMATION CONTAINED IN THIS DRAWING IS THE SOLE PROPERTY OF ANDERSON POWER PRODUCTS. ANY REPRODUCTION IN PART OR WHOLE WITHOUT THE WRITTEN PERMISSION OF ANDERSON POWER PRODUCTS IS PROHIBITED.

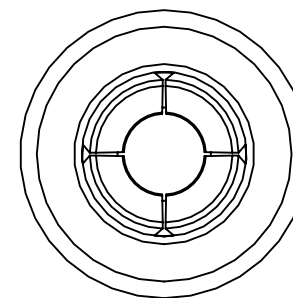
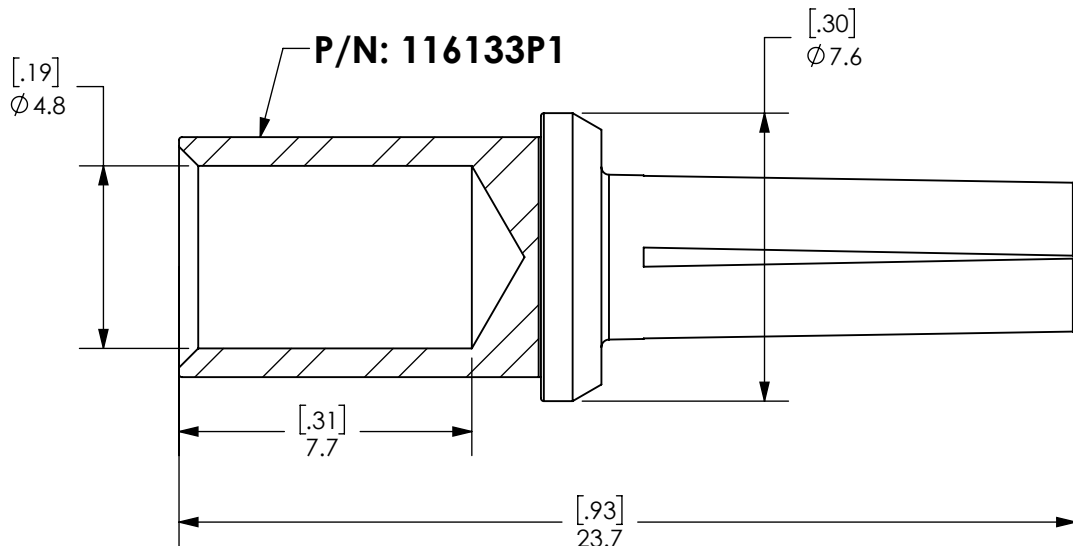
**Copyright 2024**

ANDERSON POWER PRODUCTS RESERVES THE RIGHT TO ALTER PRODUCT TYPES, THEIR TECHNICAL DATA, DIMENSION, STYLE AND ACCESSORIES WITHOUT PRIOR NOTIFICATION.



ACTUAL SIZE

**P/N: 116133P1**



NOTES:

1. MATERIAL: COPPER ALLOY
2. PLATING: SILVER PLATING OVER NICKEL
3. TERMINATE CONTACT AFTER WIRE INSERTED THROUGH HOUSING
4. FOR USE IN 6P MINI SPEC PAK® ONLY
5. SOLDER CUP TERMINATION AVAILABLE UPON REQUEST

DIMENSIONS ARE IN:		MM [INCH]		<i>APPROVALS</i>		<b>ANDERSONPOWER™</b>	
UNLESS OTHERWISE STATED				<b>DRAWN</b>		<b>TITLE</b>	
TOLERANCES:				AJL		12/28/2023	
DECIMALS (INCH)		DECIMALS (MM)		CHECKED		6P MINI SPEC PAK® #8 AWG [10MM <sup>2</sup> ] POWER SOCKET	
.XX ± .02		.X ± .5		CD		5/14/2024	
SURFACE FINISH:				MKT APPRV		COA	
MACHINED		3.2µ [128µin] ✓		CM		4357	
MOLDED		1.6µ [64µin] ✓		5/16/2024		PROD. LINE	
MATERIAL:				QC APPRV		SPEC PAK	
*****				MV		5/23/2024	
FINISH:				ENG APPRV		SIZE	
				SH		A	
				5/22/2024		DWG NO.	
						116201S1	
						REV.	
						0	
				-CAD GENERATED DRAWING- DO NOT MANUALLY UPDATE DO NOT SCALE		SCALE	
						NONE	
						CADFILE	
						06285	
						SHEET	
						1 OF 1	

REV.	DESCRIPTION	APPRV	DATE
REVISIONS			