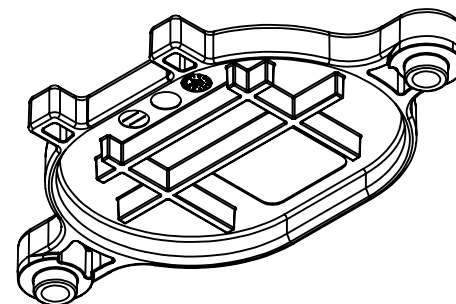
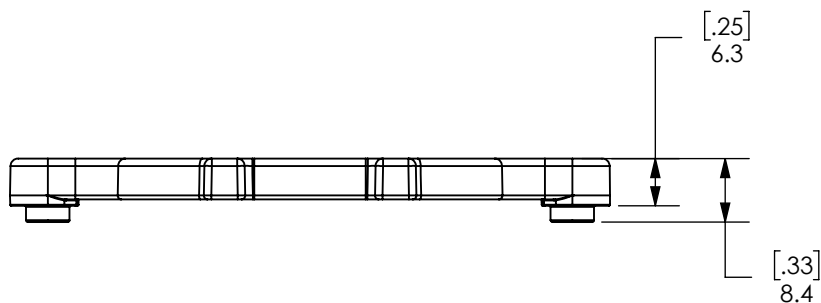
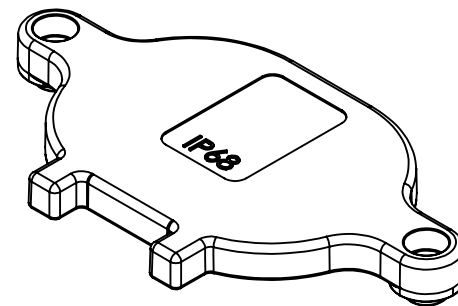
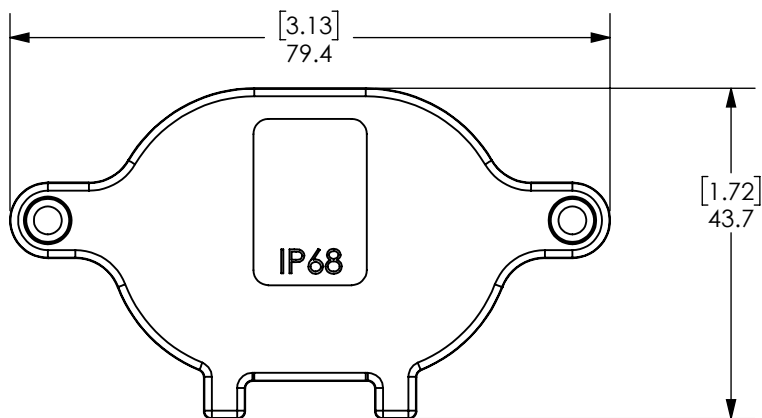


THE INFORMATION CONTAINED IN THIS DRAWING IS THE SOLE PROPERTY OF ANDERSON POWER PRODUCTS. ANY REPRODUCTION IN PART OR WHOLE WITHOUT THE WRITTEN PERMISSION OF ANDERSON POWER PRODUCTS IS PROHIBITED.

**Copyright 2025**

ANDERSON POWER PRODUCTS RESERVES THE RIGHT TO ALTER PRODUCT TYPES, THEIR TECHNICAL DATA, DIMENSION, STYLE AND ACCESSORIES WITHOUT PRIOR NOTIFICATION.



**NOTES:**

- 1. MUST BE USED WITH 116220P1 O-RING FOR IP68 SEALING.

PART NUMBER	COLOR
IBC320-VOLTAGE-COVER	TRANSPARENT

DIMENSIONS ARE IN MM. INCH DIMENSIONS SHOWN IN [ ] ARE FOR REFERENCE ONLY  GENERAL TOLERANCE IN MM UNLESS SPECIFIED OTHERWISE: <table border="1"> <tr> <td>0-6</td> <td>&gt;6-18</td> <td>&gt;18-50</td> <td>&gt;50-120</td> <td>&gt;120</td> </tr> <tr> <td>±.4</td> <td>±.5</td> <td>±.5</td> <td>±.8</td> <td>±1.0</td> </tr> </table> ANGLES: ± 5°	0-6	>6-18	>18-50	>50-120	>120	±.4	±.5	±.5	±.8	±1.0	<i>APPROVALS</i>		<b>ANDERSONPOWER</b>	
	0-6	>6-18	>18-50	>50-120	>120									
±.4	±.5	±.5	±.8	±1.0										
MATERIAL: PC  FINISH: SEE TABLE	DRAWN JWH 7/18/2025	TITLE IBC320 VOLTAGE KEY SEALING COVER	COA 5489 PROD. LINE IBC											
	CHECKED JYL 7/23/2025				PM APPRV JF 7/23/2025									
3rd ANGLE PROJECTION	QC APPRV MV 7/24/2025	SIZE A	DWG NO. 116314S1	REV. 0										
	-CAD GENERATED DRAWING- DO NOT MANUALLY UPDATE DO NOT SCALE	SCALE 1:1	CADFILE 06455	SHEET 1 OF 1										

REV.	DESCRIPTION	APPRV	DATE
REVISIONS			