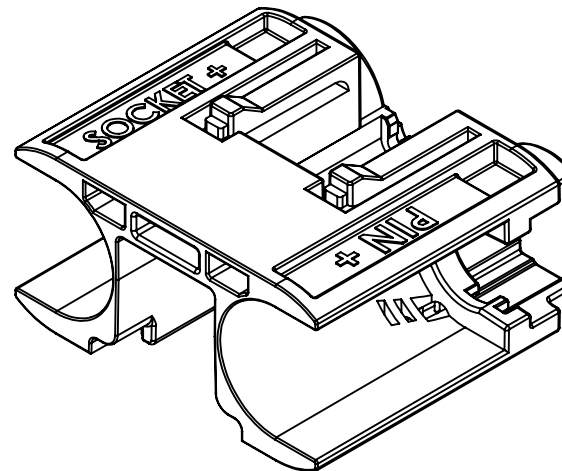
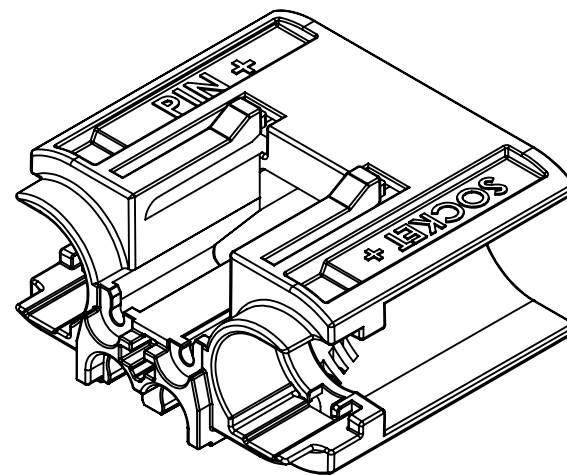
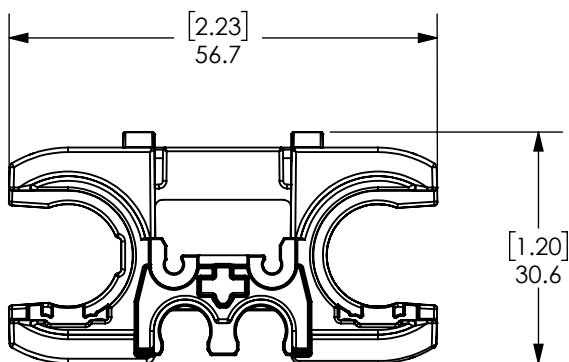
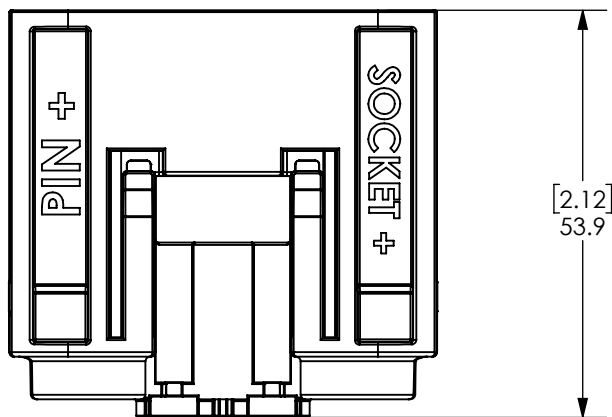


THE INFORMATION CONTAINED IN THIS DRAWING IS THE SOLE PROPERTY OF ANDERSON POWER PRODUCTS. ANY REPRODUCTION IN PART OR WHOLE WITHOUT THE WRITTEN PERMISSION OF ANDERSON POWER PRODUCTS IS PROHIBITED.

Copyright 2025

ANDERSON POWER PRODUCTS RESERVES THE RIGHT TO ALTER PRODUCT TYPES, THEIR TECHNICAL DATA, DIMENSION, STYLE AND ACCESSORIES WITHOUT PRIOR NOTIFICATION.



PART NUMBER	COLOR
IBC320-HOLDER-AIR	WHITE

NOTES:
1. ASSEMBLED PER 1S6932-AIR.

DIMENSIONS ARE IN MM. INCH DIMENSIONS SHOWN IN [] ARE FOR REFERENCE ONLY GENERAL TOLERANCE IN MM UNLESS SPECIFIED OTHERWISE: <table border="1"> <tr> <td>0-6</td> <td>>6-18</td> <td>>18-50</td> <td>>50-120</td> <td>>120</td> </tr> <tr> <td>±.4</td> <td>±.5</td> <td>±.5</td> <td>±.8</td> <td>± 1.0</td> </tr> </table> ANGLES: ± 5°		0-6	>6-18	>18-50	>50-120	>120	±.4	±.5	±.5	±.8	± 1.0	APPROVALS DRAWN: JWH 7/18/2025 CHECKED: JYL 7/23/2025 PM APPRV: JF 7/23/2025 QC APPRV: MV 7/24/2025 ENG APPRV: CMS 7/24/2025		ANDERSONPOWER TITLE: IBC320 AIR TUBE CONTACT HOLDER COA: 5489 PROD. LINE: IBC	
0-6	>6-18	>18-50	>50-120	>120											
±.4	±.5	±.5	±.8	± 1.0											
MATERIAL: PC/PBT FINISH: SEE TABLE		SIZE: A DWG NO.: 116319S1 SCALE: 1:1		REV. 0 CADFILE: 06442 SHEET: 1 OF 1											
-CAD GENERATED DRAWING- DO NOT MANUALLY UPDATE DO NOT SCALE		3rd ANGLE PROJECTION													

REV.	DESCRIPTION	APPRV	DATE
REVISIONS			