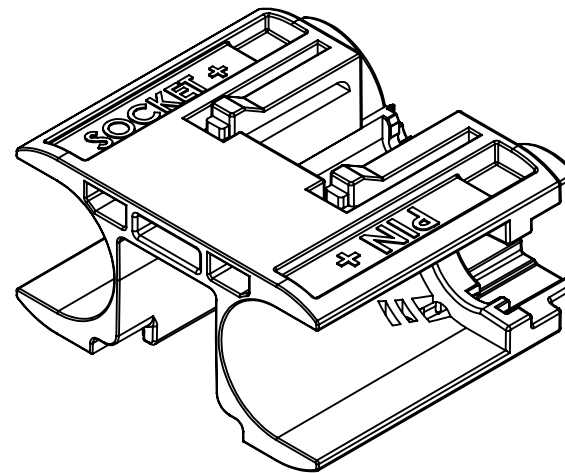
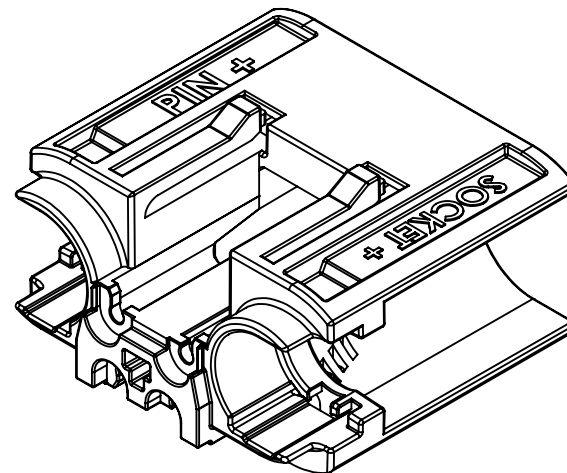
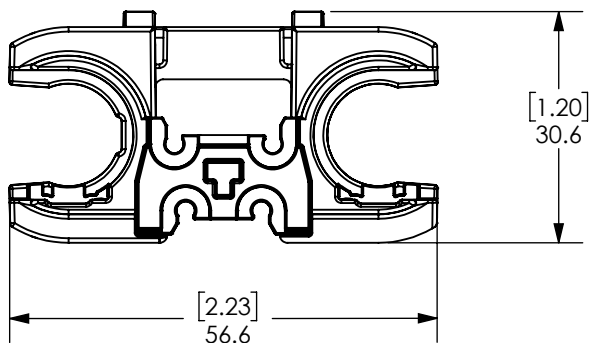
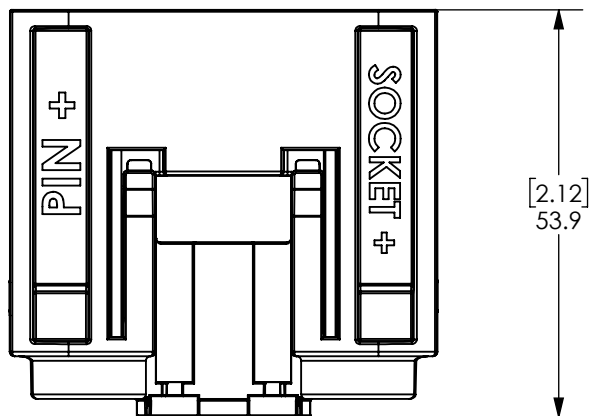


THE INFORMATION CONTAINED IN THIS DRAWING IS THE SOLE PROPERTY OF ANDERSON POWER PRODUCTS. ANY REPRODUCTION IN PART OR WHOLE WITHOUT THE WRITTEN PERMISSION OF ANDERSON POWER PRODUCTS IS PROHIBITED.

Copyright 2025

ANDERSON POWER PRODUCTS RESERVES THE RIGHT TO ALTER PRODUCT TYPES, THEIR TECHNICAL DATA, DIMENSION, STYLE AND ACCESSORIES WITHOUT PRIOR NOTIFICATION.



PART NUMBER	COLOR
IBC320-HOLDER-AUX	PURPLE

NOTES:

- TO BE ASSEMBLED PER 1S6932-4AUX.

DIMENSIONS ARE IN MM. INCH DIMENSIONS SHOWN IN [] ARE FOR REFERENCE ONLY GENERAL TOLERANCE IN MM UNLESS SPECIFIED OTHERWISE: <table border="1"> <tr> <td>0-6</td> <td>>6-18</td> <td>>18-50</td> <td>>50-120</td> <td>>120</td> </tr> <tr> <td>±.4</td> <td>±.5</td> <td>±.5</td> <td>±.8</td> <td>± 1.0</td> </tr> </table> ANGLES: ± 5°	0-6	>6-18	>18-50	>50-120	>120	±.4	±.5	±.5	±.8	± 1.0	<i>APPROVALS</i>		ANDERSONPOWER	
	0-6	>6-18	>18-50	>50-120	>120									
	±.4	±.5	±.5	±.8	± 1.0									
	DRAWN JWH 7/18/2025	CHECKED JYL 7/23/2025	TITLE IBC320 4AUX CONTACT HOLDER											
PM APPRV JF 7/23/2025	QC APPRV MV 7/24/2025	COA 5489	PROD. LINE IBC											
MATERIAL: PC/PBT	ENG APPRV CMS 7/24/2025	SIZE A	DWG NO. 116320S1	REV. 0										
FINISH: SEE TABLE	-CAD GENERATED DRAWING- DO NOT MANUALLY UPDATE DO NOT SCALE	SCALE 1:1	CADFILE 06442	SHEET 1 OF 1										

REV.	DESCRIPTION	APPRV	DATE
REVISIONS			