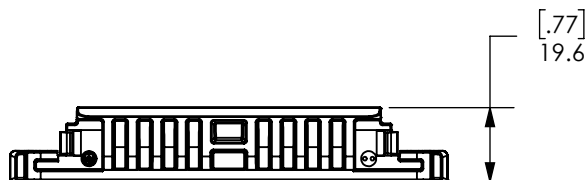
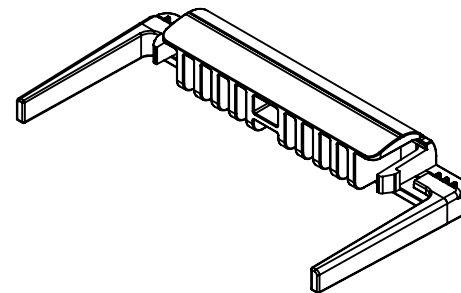
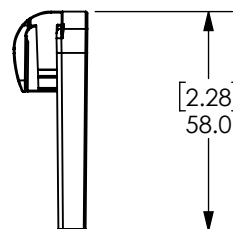
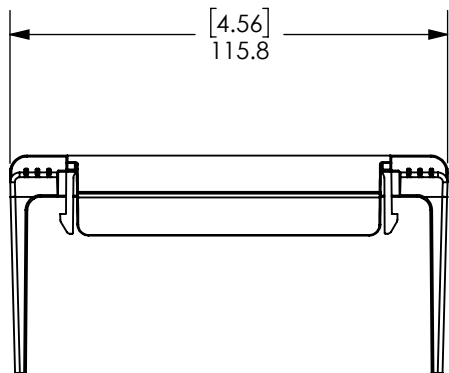


THE INFORMATION CONTAINED IN THIS DRAWING IS THE SOLE PROPERTY OF ANDERSON POWER PRODUCTS. ANY REPRODUCTION IN PART OR WHOLE WITHOUT THE WRITTEN PERMISSION OF ANDERSON POWER PRODUCTS IS PROHIBITED.

**Copyright 2025**

ANDERSON POWER PRODUCTS RESERVES THE RIGHT TO ALTER PRODUCT TYPES, THEIR TECHNICAL DATA, DIMENSION, STYLE AND ACCESSORIES WITHOUT PRIOR NOTIFICATION.



<b>PART NUMBER</b>	<b>COLOR</b>
IBC320-HANDLE-COVER	BLACK

- NOTES:  
 1. FOR USE WITH IBC320-HANDLE-BASE & IBC160-HANDLE-BASE ONLY.

DIMENSIONS ARE IN MM. INCH DIMENSIONS SHOWN IN [ ] ARE FOR REFERENCE ONLY  GENERAL TOLERANCE IN MM UNLESS SPECIFIED OTHERWISE: <table border="1"> <tr> <td>0-6</td> <td>&gt;6-18</td> <td>&gt;18-50</td> <td>&gt;50-120</td> <td>&gt;120</td> </tr> <tr> <td>±.4</td> <td>±.5</td> <td>±.5</td> <td>±.8</td> <td>± 1.0</td> </tr> </table> ANGLES: ± 5°		0-6	>6-18	>18-50	>50-120	>120	±.4	±.5	±.5	±.8	± 1.0	<b>APPROVALS</b> DRAWN: JWH 7/17/2025 CHECKED: JYL 7/23/2025 PM APPRV: JF 7/23/2025 QC APPRV: MV 7/24/2025 ENG APPRV: CMS 7/24/2025		<b>ANDERSONPOWER</b> TITLE: IBC320/160 HANDLE COVER (NON-LATCHING)	
0-6	>6-18	>18-50	>50-120	>120											
±.4	±.5	±.5	±.8	± 1.0											
MATERIAL: PC/PBT FINISH: BLACK		COA: 5489 PROD. LINE: IBC		SIZE: A DWG NO.: 116322S1 REV.: 0											
-CAD GENERATED DRAWING- DO NOT MANUALLY UPDATE DO NOT SCALE		SCALE: 1:2 CADFILE: 06453		SHEET: 1 OF 1											

REV.	DESCRIPTION	APPRV	DATE
REVISIONS			