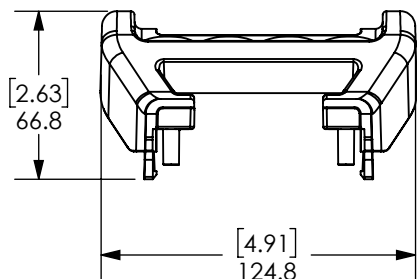
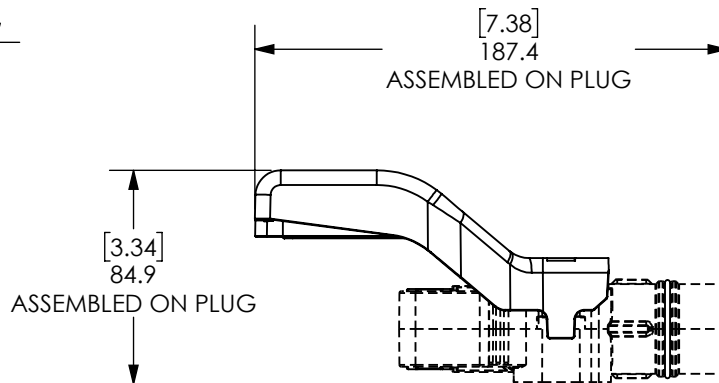
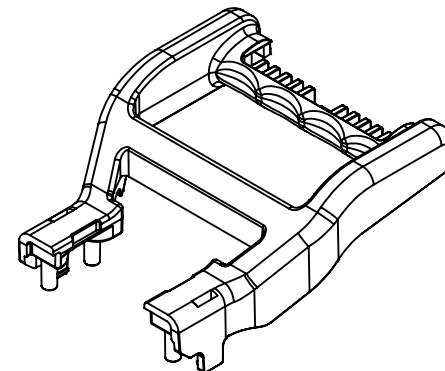
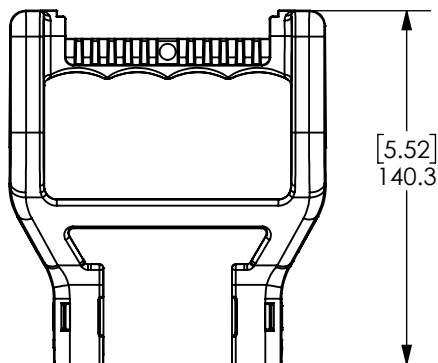


THE INFORMATION CONTAINED IN THIS DRAWING IS THE SOLE PROPERTY OF ANDERSON POWER PRODUCTS. ANY REPRODUCTION IN PART OR WHOLE WITHOUT THE WRITTEN PERMISSION OF ANDERSON POWER PRODUCTS IS PROHIBITED.

Copyright 2025

ANDERSON POWER PRODUCTS RESERVES THE RIGHT TO ALTER PRODUCT TYPES, THEIR TECHNICAL DATA, DIMENSION, STYLE AND ACCESSORIES WITHOUT PRIOR NOTIFICATION.



PART NUMBER	COLOR
IBC320-HANDLE-BASE	BLACK

NOTES:

- FOR USE WITH IBC320-HANDLE-COVER.
- COMPATIBLE WITH IBC320-PLUG-BLK, IBC320-REC-BLK, IBC160-PLUG-BLK & IBC160-REC-BLK HOUSINGS ONLY.

DIMENSIONS ARE IN MM. INCH DIMENSIONS SHOWN IN [] ARE FOR REFERENCE ONLY GENERAL TOLERANCE IN MM UNLESS SPECIFIED OTHERWISE: <table border="1"> <tr> <td>0-6</td> <td>>6-18</td> <td>>18-50</td> <td>>50-120</td> <td>>120</td> </tr> <tr> <td>±.4</td> <td>±.5</td> <td>±.5</td> <td>±.8</td> <td>±1.0</td> </tr> </table> ANGLES: ± 5°		0-6	>6-18	>18-50	>50-120	>120	±.4	±.5	±.5	±.8	±1.0	APPROVALS DRAWN: JWH 7/17/2025 CHECKED: JYL 7/24/2025 PM APPRV: JF 7/24/2025 QC APPRV: MV 7/24/2025 ENG APPRV: CMS 7/24/2025		ANDERSONPOWER TITLE: IBC320/160 HANDLE BASE FRAME	
0-6	>6-18	>18-50	>50-120	>120											
±.4	±.5	±.5	±.8	±1.0											
MATERIAL: PC/PBT FINISH: BLACK		COA: 5489 PROD. LINE: IBC		SIZE: A DWG NO.: 116323S1 REV.: 0											
-CAD GENERATED DRAWING- DO NOT MANUALLY UPDATE DO NOT SCALE		SCALE: 1:3 CADFILE: 06452		SHEET: 1 OF 1											

REV.	DESCRIPTION	APPRV	DATE
REVISIONS			