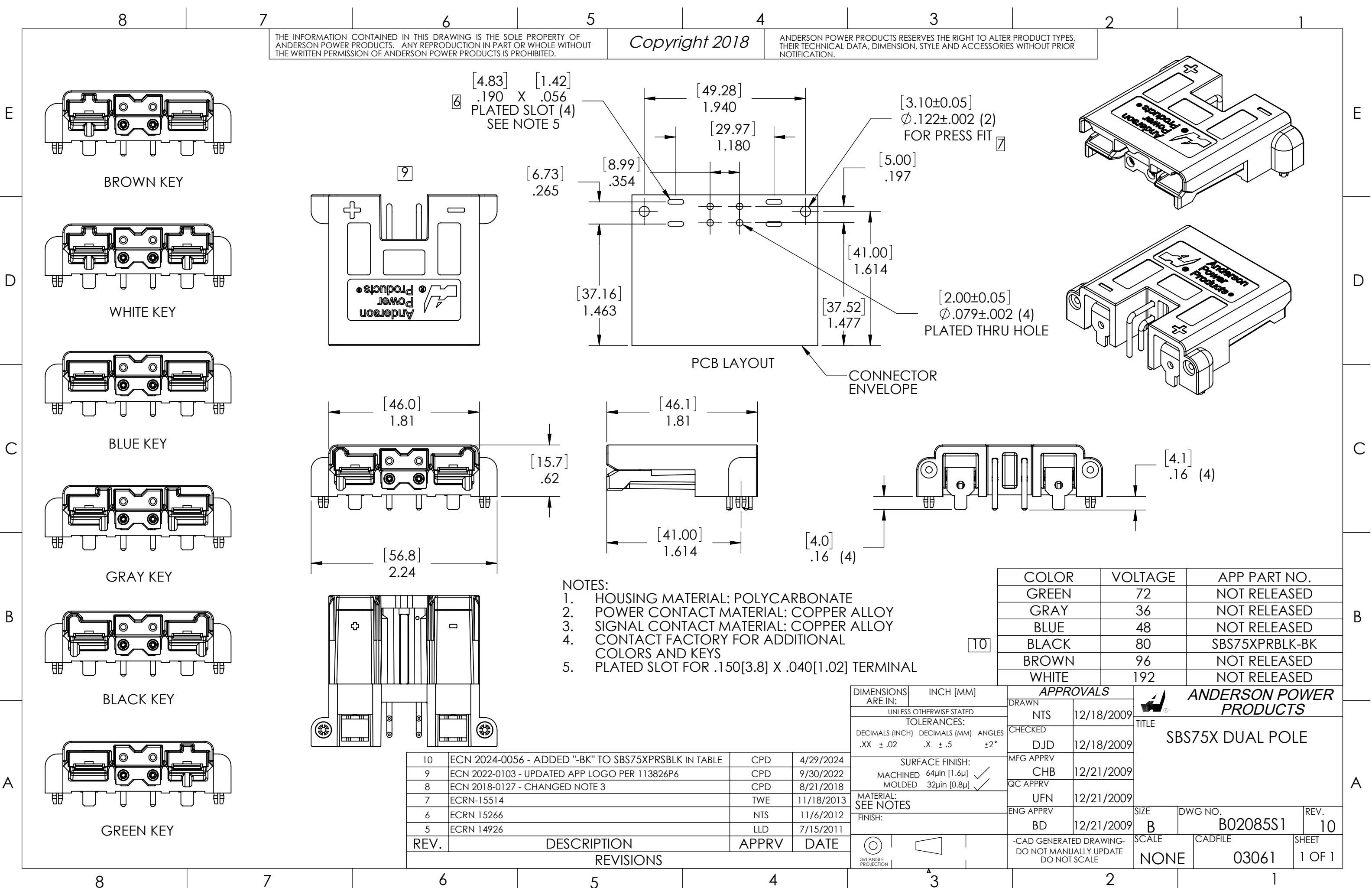


THE INFORMATION CONTAINED IN THIS DRAWING IS THE SOLE PROPERTY OF ANDERSON POWER PRODUCTS. ANY REPRODUCTION IN PART OR WHOLE WITHOUT THE WRITTEN PERMISSION OF ANDERSON POWER PRODUCTS IS PROHIBITED.

Copyright 2018

ANDERSON POWER PRODUCTS RESERVES THE RIGHT TO ALTER PRODUCT TYPES, THEIR TECHNICAL DATA, DIMENSION, STYLE AND ACCESSORIES WITHOUT PRIOR NOTIFICATION.



[4.83] [1.42]
 .190 X .056
 PLATED SLOT (4)
 SEE NOTE 5

[3.10±0.05]
 Ø.122±.002 (2)
 FOR PRESS FIT

[2.00±0.05]
 Ø.079±.002 (4)
 PLATED THRU HOLE

PCB LAYOUT
 CONNECTOR ENVELOPE

- NOTES:
1. HOUSING MATERIAL: POLYCARBONATE
 2. POWER CONTACT MATERIAL: COPPER ALLOY
 3. SIGNAL CONTACT MATERIAL: COPPER ALLOY
 4. CONTACT FACTORY FOR ADDITIONAL COLORS AND KEYS
 5. PLATED SLOT FOR .150[3.8] X .040[1.02] TERMINAL

COLOR	VOLTAGE	APP PART NO.
GREEN	72	NOT RELEASED
GRAY	36	NOT RELEASED
BLUE	48	NOT RELEASED
BLACK	80	SBS75XPRBLK-BK
BROWN	96	NOT RELEASED
WHITE	192	NOT RELEASED

DIMENSIONS ARE IN:		INCH [MM]		APPROVALS		ANDERSON POWER PRODUCTS			
UNLESS OTHERWISE STATED				DRAWN	NTS	12/18/2009	TITLE SBS75X DUAL POLE		
TOLERANCES:				CHECKED	DJD	12/18/2009			
DECIMALS (INCH)	DECIMALS (MM)	ANGLES		MFG APPRV	CHB	12/21/2009			
.XX ±.02	.X ±.5	±2°		QC APPRV	UFN	12/21/2009			
SURFACE FINISH:				ENG APPRV	BD	12/21/2009	SIZE	DWG NO.	REV.
MACHINED 64µin [1.6µ] ✓							B	B02085S1	10
MOLDED 32µin [0.8µ] ✓							NONE	03061	1 OF 1
MATERIAL: SEE NOTES				-CAD GENERATED DRAWING- DO NOT MANUALLY UPDATE DO NOT SCALE					
FINISH:									

REV.	DESCRIPTION	APPRV	DATE
10	ECN 2024-0056 - ADDED "-BK" TO SBS75XPRSBK IN TABLE	CPD	4/29/2024
9	ECN 2022-0103 - UPDATED APP LOGO PER 113826P6	CPD	9/30/2022
8	ECN 2018-0127 - CHANGED NOTE 3	CPD	8/21/2018
7	ECRN-15514	TWE	11/18/2013
6	ECRN 15266	NTS	11/6/2012
5	ECRN 14926	LLD	7/15/2011
REVISIONS			