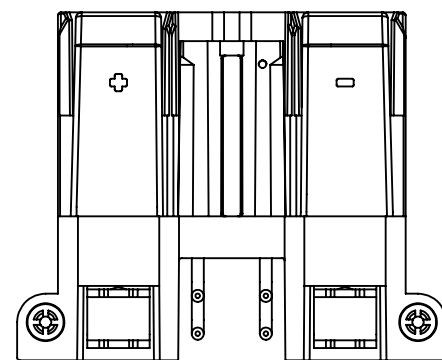
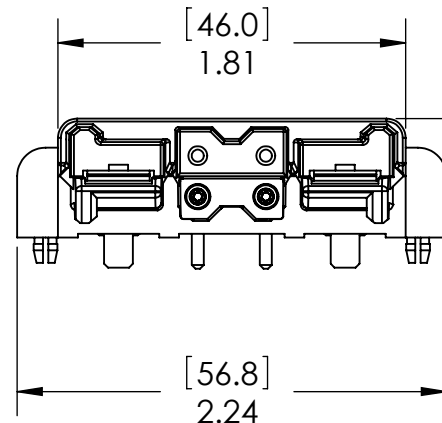
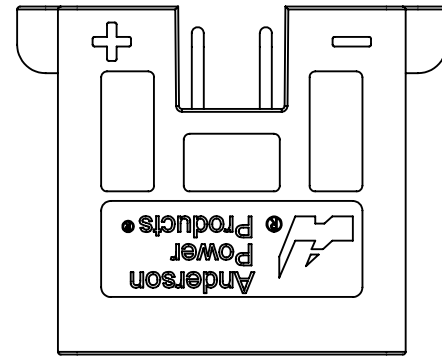
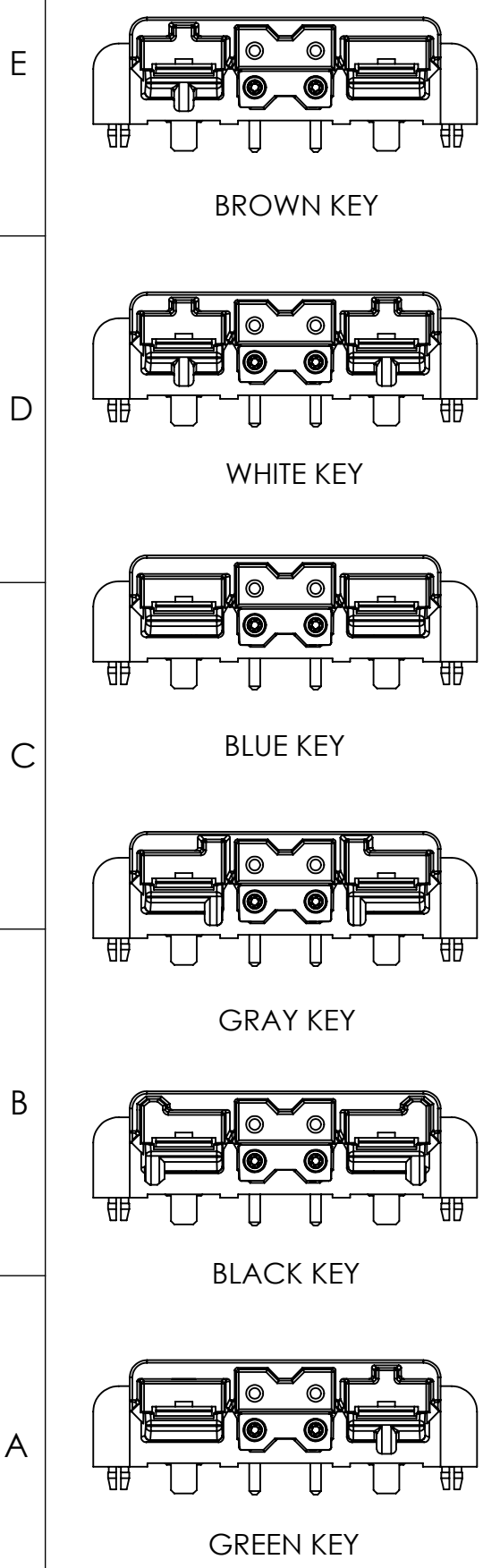


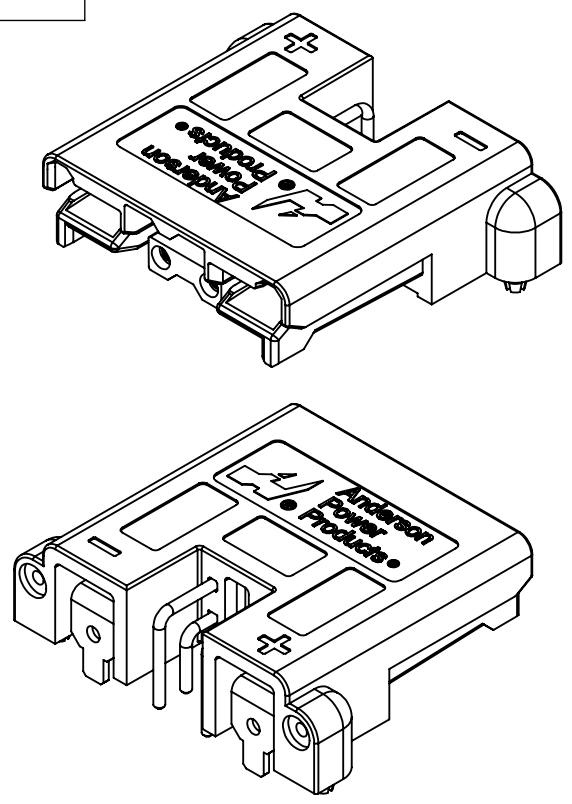
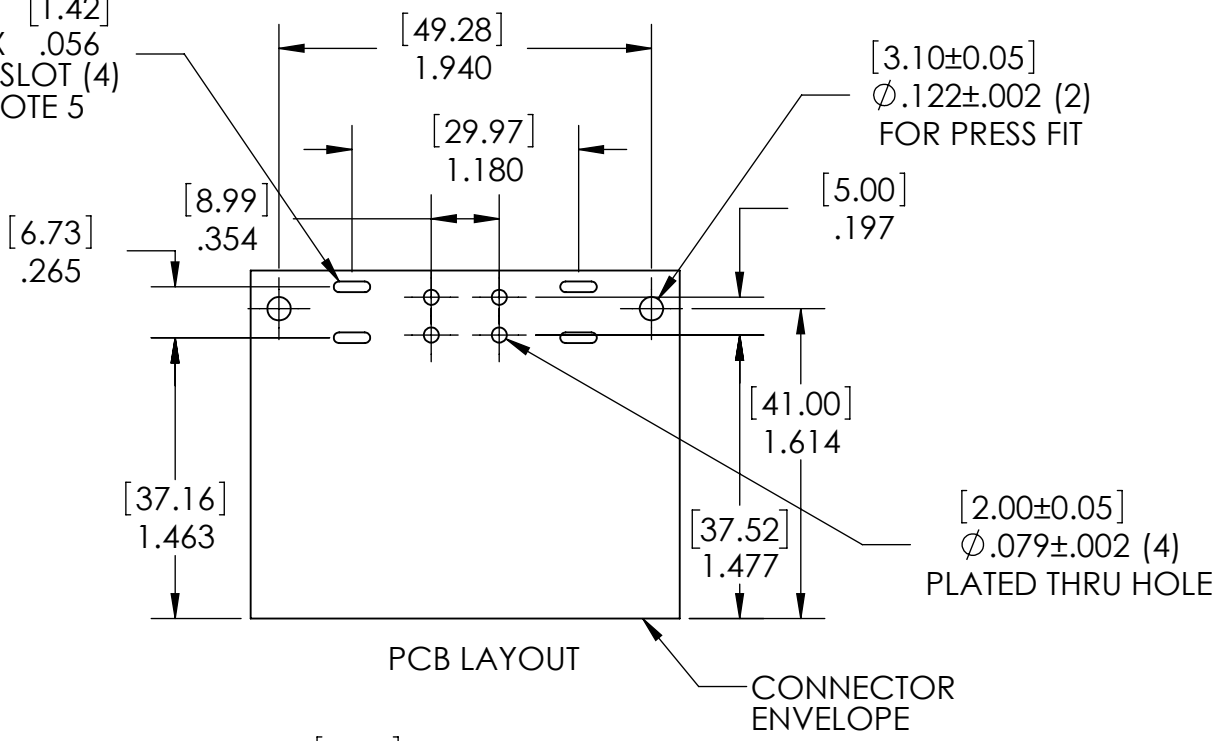
THE INFORMATION CONTAINED IN THIS DRAWING IS THE SOLE PROPERTY OF ANDERSON POWER PRODUCTS. ANY REPRODUCTION IN PART OR WHOLE WITHOUT THE WRITTEN PERMISSION OF ANDERSON POWER PRODUCTS IS PROHIBITED.

Copyright 2018

ANDERSON POWER PRODUCTS RESERVES THE RIGHT TO ALTER PRODUCT TYPES, THEIR TECHNICAL DATA, DIMENSION, STYLE AND ACCESSORIES WITHOUT PRIOR NOTIFICATION.



[4.83] [1.42]
.190 X .056
PLATED SLOT (4)
SEE NOTE 5



- NOTES:
1. HOUSING MATERIAL: POLYCARBONATE
 2. POWER CONTACT MATERIAL: COPPER ALLOY
 3. SIGNAL CONTACT MATERIAL: COPPER ALLOY
 4. CONTACT FACTORY FOR ADDITIONAL COLORS AND KEYS
 5. PLATED SLOT FOR .150[3.8] X .040[1.02] TERMINAL

COLOR	VOLTAGE	APP PART NO.
GREEN	72	NOT RELEASED
GRAY	36	NOT RELEASED
BLUE	48	NOT RELEASED
BLACK	80	SBS75XPRSBLK-BK
BROWN	96	NOT RELEASED
WHITE	192	NOT RELEASED

DIMENSIONS ARE IN:	INCH [MM]	APPROVALS		ANDERSON POWER PRODUCTS			
UNLESS OTHERWISE STATED		DRAWN	CPD	7/3/2018	 ANDERSON POWER PRODUCTS TITLE SBS75X DUAL POLE, RIGHT ANGLE PCB WITH SILVER PLATE		
TOLERANCES:		CHECKED	CMS	7/10/2018			
DECIMALS (INCH) DECIMALS (MM) ANGLES	.XX ±.02 .X ±.5 ±2°	MKT APPRV	DSB	7/18/2018			
SURFACE FINISH:		QC APPRV	MSR	7/10/2018			
MACHINED 128µin [3.2µ] ✓ MOLDED 64µin [1.6µ] ✓		ENG APPRV	SH	7/10/2018			
MATERIAL: SEE NOTES		FINISH:			SIZE	DWG NO.	REV.
					B	B02503S1	1
					SCALE	CADFILE	SHEET
					NONE	03061	1 OF 1

1	ECN 2024-0056 - ADDED "-BK" TO SBS75XPRSBLK IN TABLE	CPD	4/29/2024
REV.	DESCRIPTION	APPRV	DATE
REVISIONS			



-CAD GENERATED DRAWING-
DO NOT MANUALLY UPDATE
DO NOT SCALE