

8

7

6

5

4

3

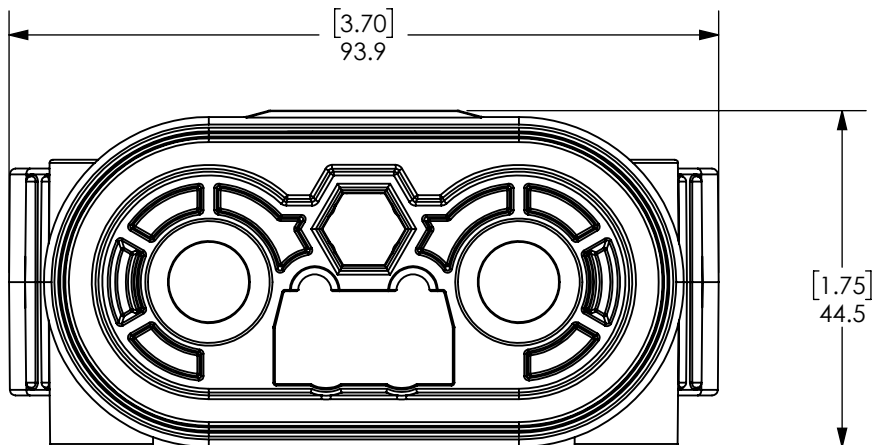
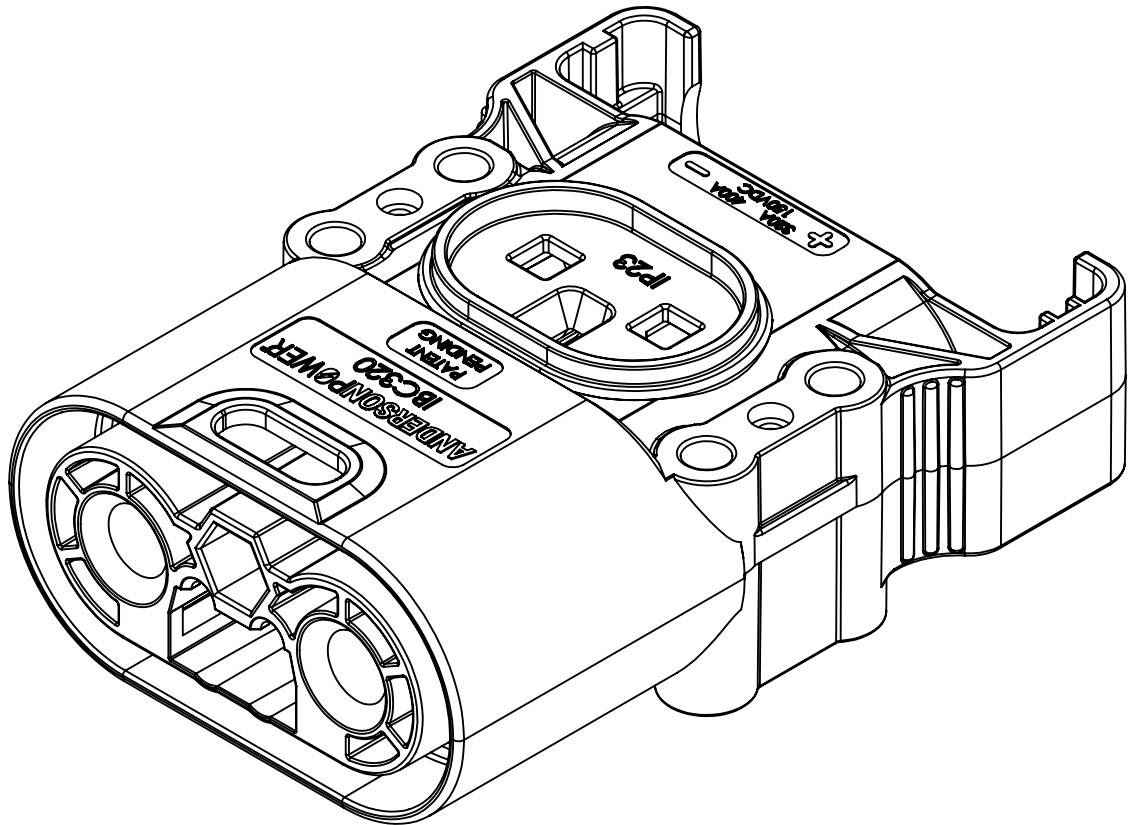
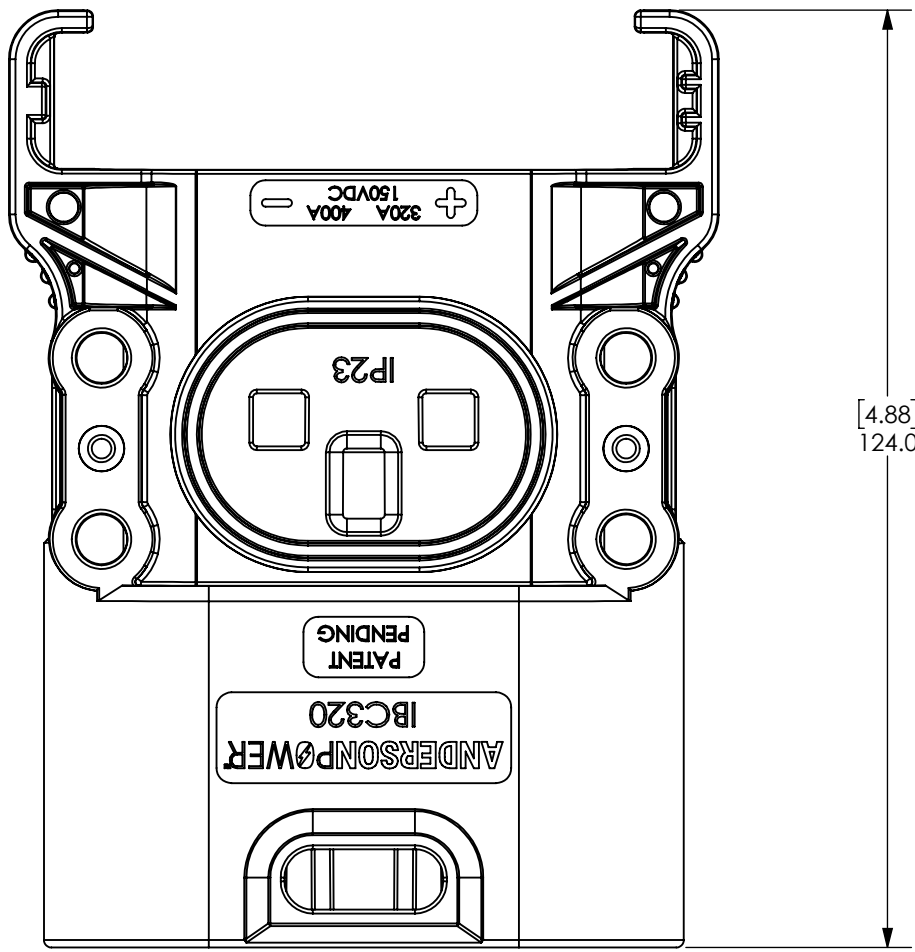
2

1

THE INFORMATION CONTAINED IN THIS DRAWING IS THE SOLE PROPERTY OF ANDERSON POWER PRODUCTS. ANY REPRODUCTION IN PART OR WHOLE WITHOUT THE WRITTEN PERMISSION OF ANDERSON POWER PRODUCTS IS PROHIBITED.

Copyright 2025

ANDERSON POWER PRODUCTS RESERVES THE RIGHT TO ALTER PRODUCT TYPES, THEIR TECHNICAL DATA, DIMENSION, STYLE AND ACCESSORIES WITHOUT PRIOR NOTIFICATION.



| PART NUMBER | COLOR |
|----------------|-------|
| IBC320-REC-BLK | BLACK |

| | | | | | | | | | | | | | | | |
|--|--|--------------------------------------|--|-------------------------|-------|-----|-----|-----|-----|-------|-------------------------|--|------------------------------|--|--|
| <p>DIMENSIONS ARE IN MM. INCH DIMENSIONS SHOWN IN [] ARE FOR REFERENCE ONLY</p> <p>GENERAL TOLERANCE IN MM UNLESS SPECIFIED OTHERWISE:</p> <table border="1"> <tr> <td>0-6</td> <td>>6-18</td> <td>>18-50</td> <td>>50-120</td> <td>>120</td> </tr> <tr> <td>±.4</td> <td>±.5</td> <td>±.5</td> <td>±.8</td> <td>± 1.0</td> </tr> </table> <p>ANGLES: ± 5°</p> | 0-6 | >6-18 | >18-50 | >50-120 | >120 | ±.4 | ±.5 | ±.5 | ±.8 | ± 1.0 | <p><i>APPROVALS</i></p> | | <p>ANDERSON POWER</p> | | |
| | 0-6 | >6-18 | >18-50 | >50-120 | >120 | | | | | | | | | | |
| | ±.4 | ±.5 | ±.5 | ±.8 | ± 1.0 | | | | | | | | | | |
| | <p>DRAWN JWH 7/18/2025</p> | <p>CHECKED JYL 7/23/2025</p> | <p>TITLE IBC320 RECEPTACLE HOUSING</p> | | | | | | | | | | | | |
| <p>PM APPRV JF 7/23/2025</p> | <p>QC APPRV MV 7/24/2025</p> | <p>COA NO. 5489</p> | <p>PROD. LINE IBC</p> | | | | | | | | | | | | |
| <p>MATERIAL: PC/PBT</p> | <p>ENG APPRV CMS 7/24/2025</p> | <p>SIZE B</p> | <p>DWG NO. B03160S1</p> | <p>REV. 0</p> | | | | | | | | | | | |
| <p>FINISH: SEE TABLE</p> | <p>3rd ANGLE PROJECTION</p> | <p>SCALE 1:1</p> | <p>CADFILE 06438</p> | <p>SHEET 1 OF 1</p> | | | | | | | | | | | |
| <p>-CAD GENERATED DRAWING- DO NOT MANUALLY UPDATE DO NOT SCALE</p> | | | | | | | | | | | | | | | |

| REV. | DESCRIPTION | APPRV | DATE |
|-----------|-------------|-------|------|
| REVISIONS | | | |

E
D
C
B
A

E
D
C
B
A

8 7 6 5 4 3 2 1