

8

7

6

5

4

3

2

1

THE INFORMATION CONTAINED IN THIS DRAWING IS THE SOLE PROPERTY OF ANDERSON POWER PRODUCTS. ANY REPRODUCTION IN PART OR WHOLE WITHOUT THE WRITTEN PERMISSION OF ANDERSON POWER PRODUCTS IS PROHIBITED.

Copyright 2025

ANDERSON POWER PRODUCTS RESERVES THE RIGHT TO ALTER PRODUCT TYPES, THEIR TECHNICAL DATA, DIMENSION, STYLE AND ACCESSORIES WITHOUT PRIOR NOTIFICATION.

E

E

D

D

C

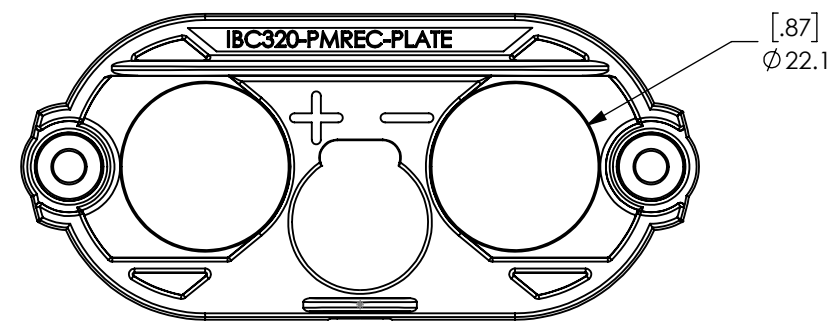
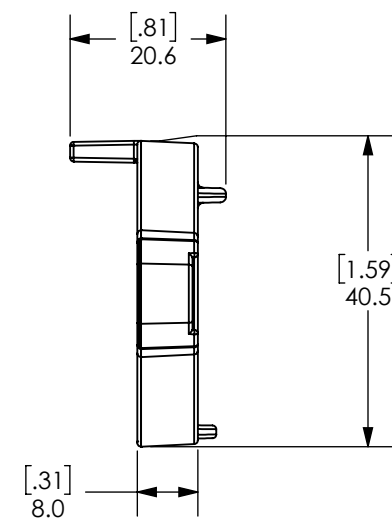
C

B

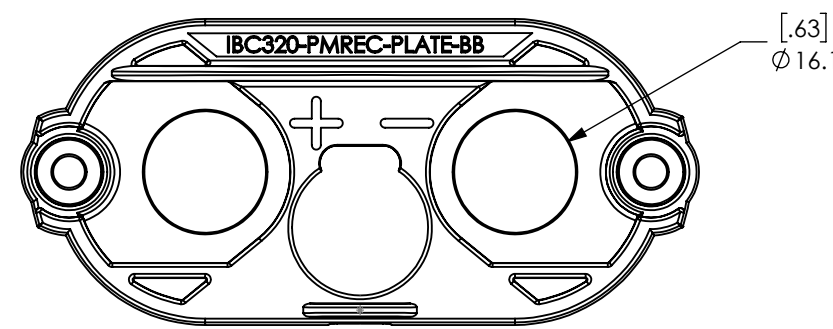
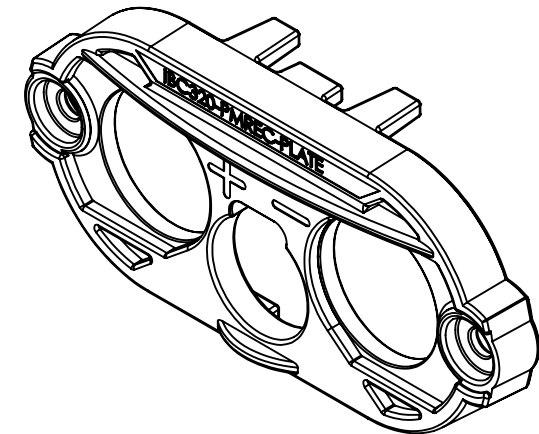
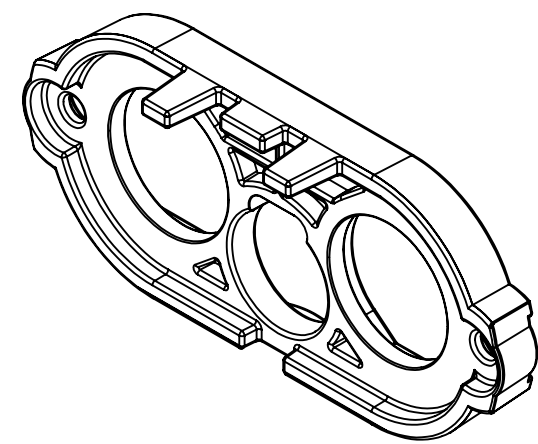
B

A

A

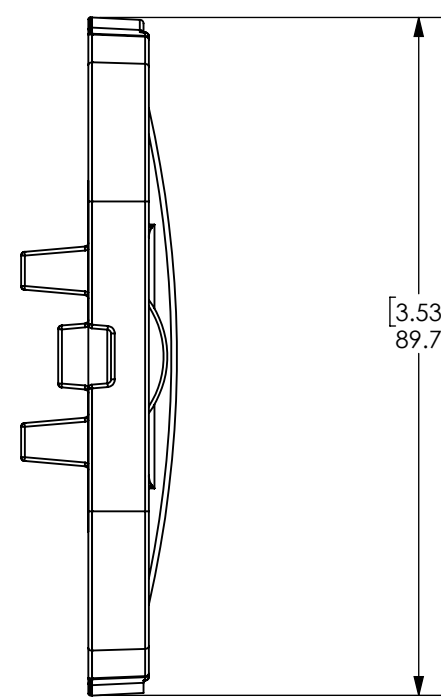


IBC320-PMREC-PLATE



IBC320-PMREC-PLATE-BB

PART NUMBER	COLOR
IBC320-PMREC-PLATE	BLACK
IBC320-PMREC-PLATE-BB	BLACK



NOTES:  
1. FOR USE WITH IBC320-PMREC-BLK HOUSING ONLY.

<p><b>DIMENSIONS ARE IN MM. INCH DIMENSIONS SHOWN IN [ ] ARE FOR REFERENCE ONLY</b></p> <p>GENERAL TOLERANCE IN MM UNLESS SPECIFIED OTHERWISE:</p> <table border="1"> <tr> <td>0-6</td> <td>&gt;6-18</td> <td>&gt;18-50</td> <td>&gt;50-120</td> <td>&gt;120</td> </tr> <tr> <td>±.4</td> <td>±.5</td> <td>±.5</td> <td>±.8</td> <td>± 1.0</td> </tr> </table> <p>ANGLES: ± 5°</p>	0-6	>6-18	>18-50	>50-120	>120	±.4	±.5	±.5	±.8	± 1.0	<p><i>APPROVALS</i></p>		<p><b>ANDERSONPOWER</b></p>		
	0-6	>6-18	>18-50	>50-120	>120										
±.4	±.5	±.5	±.8	± 1.0											
<p><b>MATERIAL:</b> PC/PBT</p> <p><b>FINISH:</b> BLACK</p>	<p>DRAWN JWH 7/18/2025</p> <p>CHECKED JYL 7/23/2025</p> <p>MFG APPRV JF 7/23/2025</p> <p>QC APPRV MV 7/24/2025</p> <p>ENG APPRV CMS 7/24/2025</p>	<p>TITLE IBC320 PANEL MOUNT BACK PLATE</p>		<p>COA NO. 5489</p>	<p>PROD. LINE IBC</p>										
<p>3rd ANGLE PROJECTION</p>	<p>SCALE 1:1</p>	<p>SIZE B</p>	<p>DWG NO. B03161S1</p>	<p>REV. 0</p>	<p>SHEET 1 OF 1</p>										
<p>-CAD GENERATED DRAWING- DO NOT MANUALLY UPDATE DO NOT SCALE</p>															

REV.	DESCRIPTION	APPRV	DATE
REVISIONS			

8

7

6

5

4

3

2

1