

8

7

6

5

4

3

2

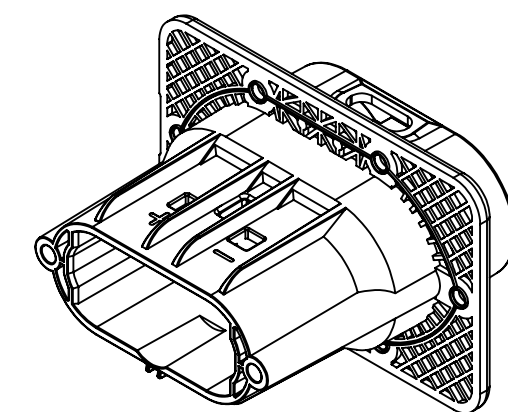
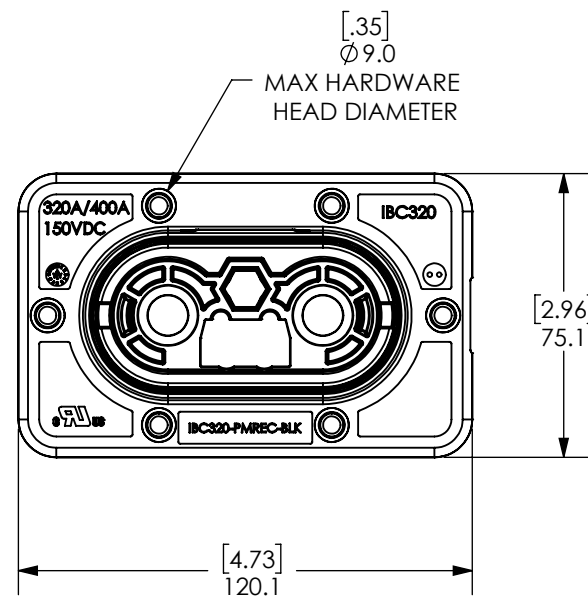
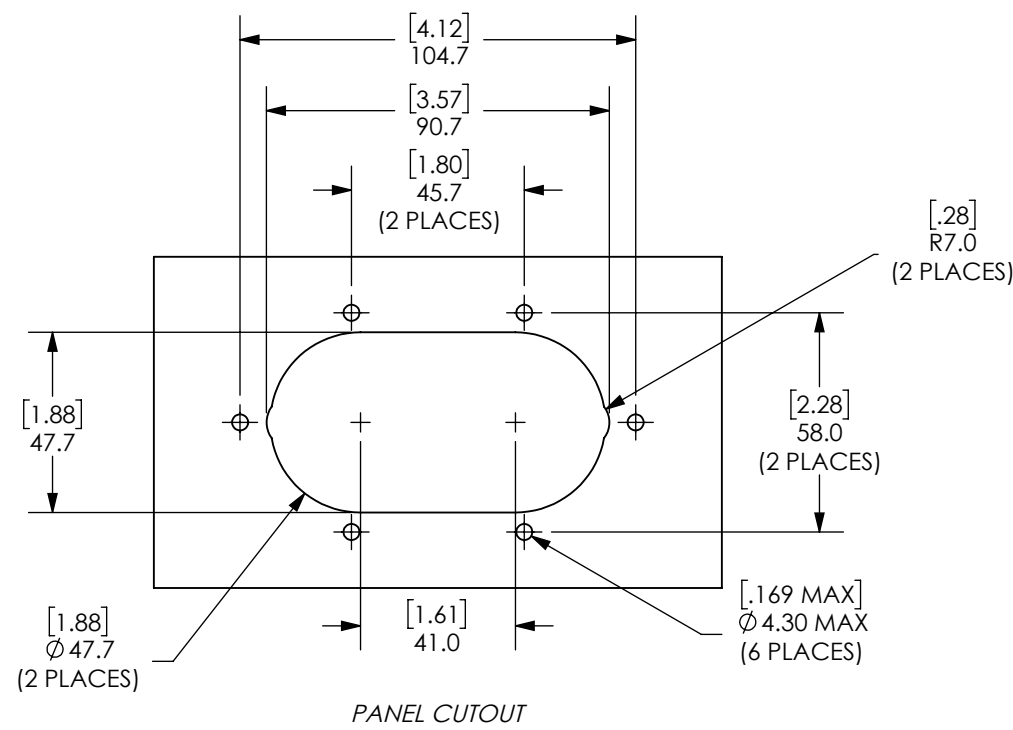
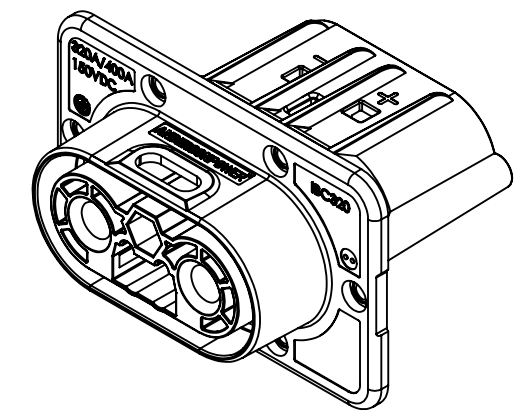
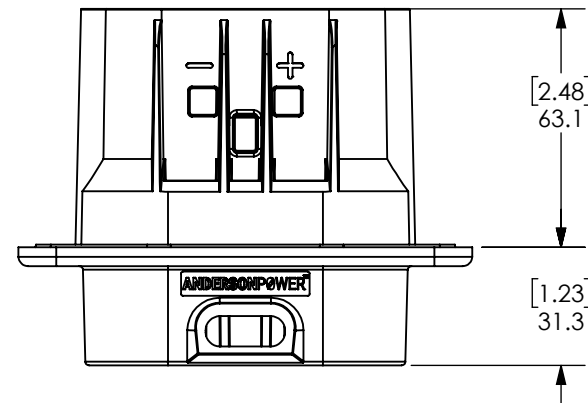
1

THE INFORMATION CONTAINED IN THIS DRAWING IS THE SOLE PROPERTY OF ANDERSON POWER PRODUCTS. ANY REPRODUCTION IN PART OR WHOLE WITHOUT THE WRITTEN PERMISSION OF ANDERSON POWER PRODUCTS IS PROHIBITED.

Copyright 2025

ANDERSON POWER PRODUCTS RESERVES THE RIGHT TO ALTER PRODUCT TYPES, THEIR TECHNICAL DATA, DIMENSION, STYLE AND ACCESSORIES WITHOUT PRIOR NOTIFICATION.

PART NUMBER	COLOR
IBC320-PMREC-BLK	BLACK



NOTES:
 1. HARDWARE FOR MOUNTING NOT INCLUDED. DESIGN SUPPORTS M4 [#8] HARDWARE FOR MOUNTING.

<p>DIMENSIONS ARE IN MM. INCH DIMENSIONS SHOWN IN [] ARE FOR REFERENCE ONLY</p> <p>GENERAL TOLERANCE IN MM UNLESS SPECIFIED OTHERWISE:</p> <table border="1"> <tr> <td>0-6</td> <td>>6-18</td> <td>>18-50</td> <td>>50-120</td> <td>>120</td> </tr> <tr> <td>±.4</td> <td>±.5</td> <td>±.5</td> <td>±.8</td> <td>± 1.0</td> </tr> </table> <p>ANGLES: ± 5°</p>	0-6	>6-18	>18-50	>50-120	>120	±.4	±.5	±.5	±.8	± 1.0	<p><i>APPROVALS</i></p>		<p>ANDERSONPOWER</p>		
	0-6	>6-18	>18-50	>50-120	>120										
	±.4	±.5	±.5	±.8	± 1.0										
	<p>DRAWN JWH</p>	<p>7/18/2025</p>	<p>TITLE IBC320 PANEL MOUNT RECEPTACLE</p>												
<p>CHECKED JYL</p>	<p>7/23/2025</p>	<p>COA NO. 5489 PROD. LINE IBC</p>													
<p>PM APPRV JF</p>	<p>7/23/2025</p>	<p>SIZE B DWG NO. B03162S1 REV. 0</p>													
<p>MATERIAL: PC/PBT</p>	<p>ENG APPRV CMS</p>	<p>7/24/2025</p>	<p>SCALE 1:2 CADFILE 06441 SHEET 1 OF 1</p>												
<p>FINISH: SEE TABLE</p>	<p>-CAD GENERATED DRAWING- DO NOT MANUALLY UPDATE DO NOT SCALE</p>														

REV.	DESCRIPTION	APPRV	DATE
REVISIONS			

8

7

6

5

4

3

2

1

E

E

D

D

C

C

B

B

A

A