

8

7

6

5

4

3

2

1

THE INFORMATION CONTAINED IN THIS DRAWING IS THE SOLE PROPERTY OF ANDERSON POWER PRODUCTS. ANY REPRODUCTION IN PART OR WHOLE WITHOUT THE WRITTEN PERMISSION OF ANDERSON POWER PRODUCTS IS PROHIBITED.

Copyright 2025

ANDERSON POWER PRODUCTS RESERVES THE RIGHT TO ALTER PRODUCT TYPES, THEIR TECHNICAL DATA, DIMENSION, STYLE AND ACCESSORIES WITHOUT PRIOR NOTIFICATION.

E

E

D

D

C

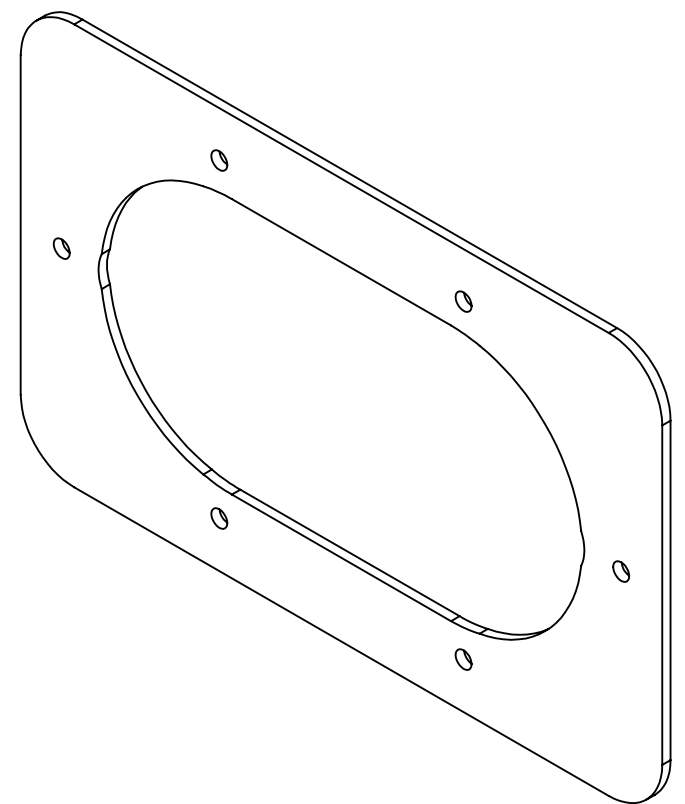
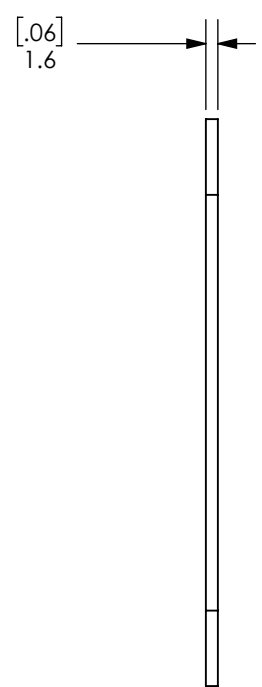
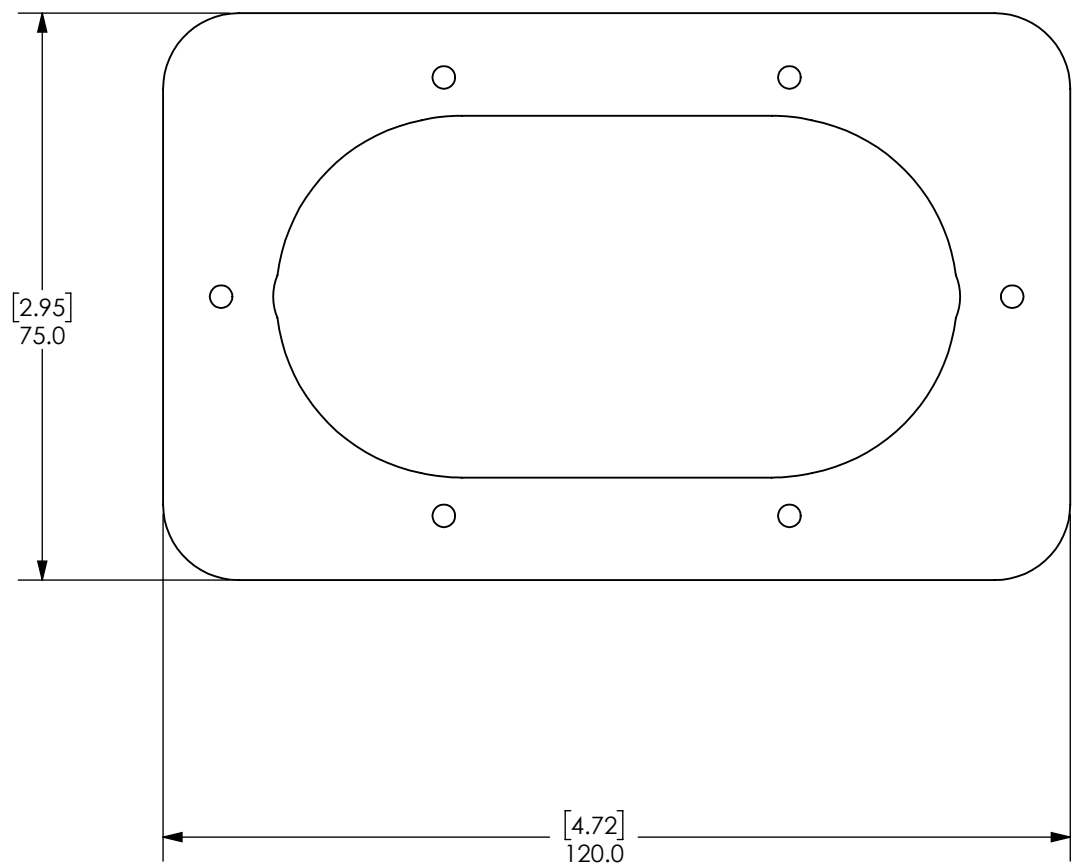
C

B

B

A

A

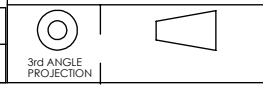


<b>PART NUMBER</b>	<b>COLOR</b>
IBC320-PMGASKET	BLACK

<p><b>DIMENSIONS ARE IN MM. INCH</b>  <b>DIMENSIONS SHOWN IN [ ] ARE FOR</b>  <b>REFERENCE ONLY</b></p> <p>GENERAL TOLERANCE IN MM UNLESS          SPECIFIED OTHERWISE:</p> <table border="1"> <tr> <td>0-6</td> <td>&gt;6-18</td> <td>&gt;18-50</td> <td>&gt;50-120</td> <td>&gt;120</td> </tr> <tr> <td>±.6</td> <td>±.8</td> <td>±.8</td> <td>±1.0</td> <td>± 1.2</td> </tr> </table> <p>ANGLES: ± 5°</p>	0-6	>6-18	>18-50	>50-120	>120	±.6	±.8	±.8	±1.0	± 1.2	<i>APPROVALS</i>		<b>ANDERSONPOWER</b>		
	0-6	>6-18	>18-50	>50-120	>120										
	±.6	±.8	±.8	±1.0	± 1.2										
	<b>DRAWN</b> JWH	7/18/2025	<b>TITLE</b> <b>IBC320 PANEL MOUNT</b> <b>GASKET</b>												
<b>CHECKED</b> JYL	7/23/2025														
<b>PM APPRV</b> JF	7/23/2025														
<b>QC APPRV</b> MV	7/24/2025	<b>COA NO.</b> 5489	<b>PROD. LINE</b> IBC												
<b>ENG APPRV</b> CMS	7/24/2025	<b>SIZE</b> B	<b>DWG NO.</b> B03163S1	<b>REV.</b> 0											
<b>MATERIAL:</b> EPDM		<b>SCALE</b> 1:1	<b>CADFILE</b> 06511	<b>SHEET</b> 1 OF 1											
<b>FINISH:</b> BLACK		-CAD GENERATED DRAWING- DO NOT MANUALLY UPDATE DO NOT SCALE													

NOTES:  
 1. FOR USE WITH IBC320-PMREC-BLK ONLY.

REV.	DESCRIPTION	APPRV	DATE
REVISIONS			



8

7

6

5

4

3

2

1