

8

7

6

5

4

3

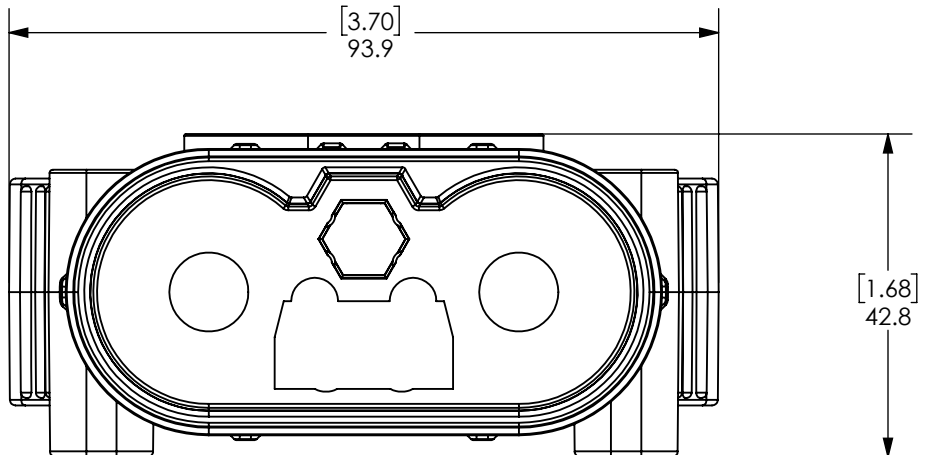
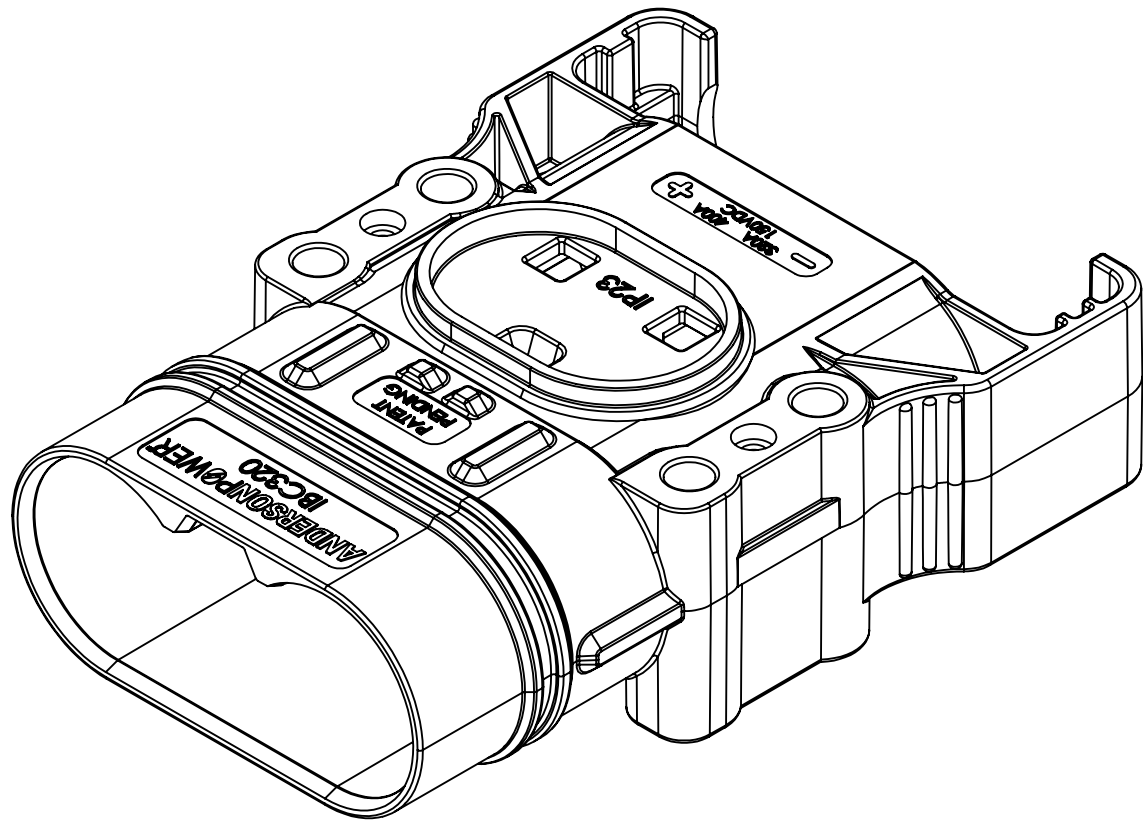
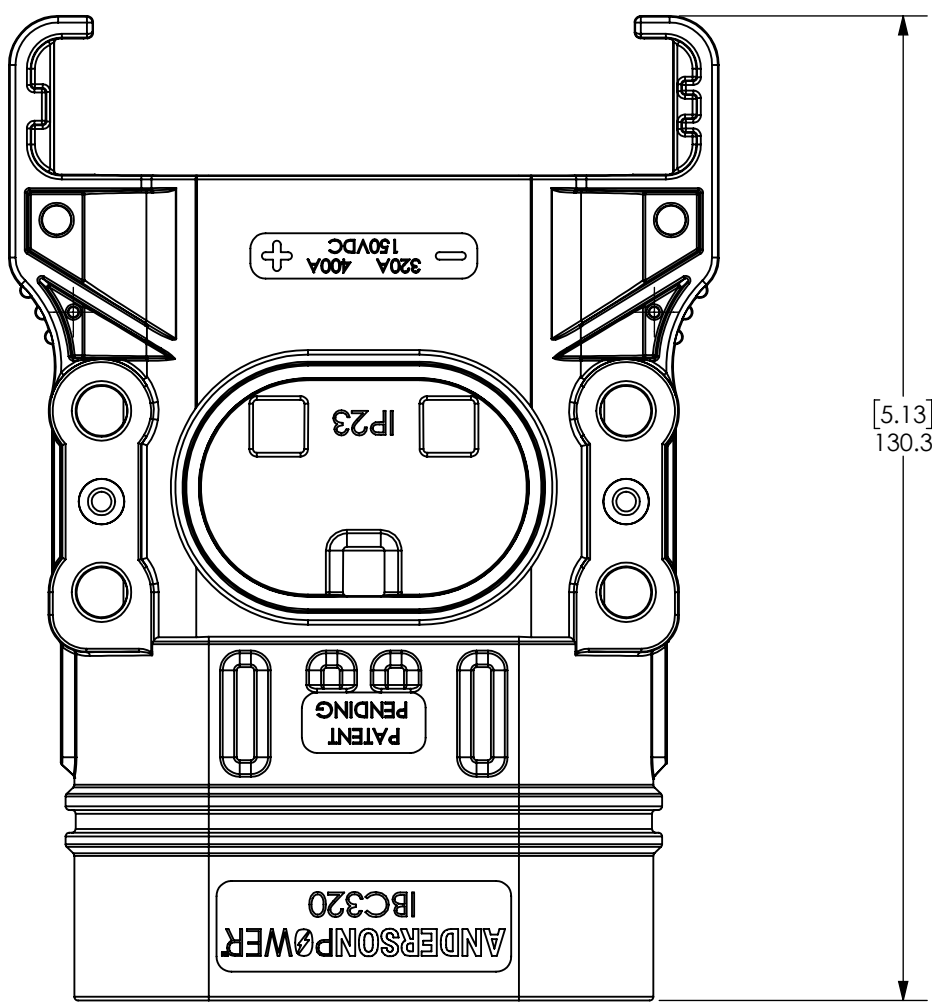
2

1

THE INFORMATION CONTAINED IN THIS DRAWING IS THE SOLE PROPERTY OF ANDERSON POWER PRODUCTS. ANY REPRODUCTION IN PART OR WHOLE WITHOUT THE WRITTEN PERMISSION OF ANDERSON POWER PRODUCTS IS PROHIBITED.

Copyright 2025

ANDERSON POWER PRODUCTS RESERVES THE RIGHT TO ALTER PRODUCT TYPES, THEIR TECHNICAL DATA, DIMENSION, STYLE AND ACCESSORIES WITHOUT PRIOR NOTIFICATION.



PART NUMBER	COLOR
IBC320-PLUG-BLK	BLACK

<p>DIMENSIONS ARE IN MM. INCH DIMENSIONS SHOWN IN [] ARE FOR REFERENCE ONLY</p> <p>GENERAL TOLERANCE IN MM UNLESS SPECIFIED OTHERWISE:</p> <table border="1"> <tr> <td>0-6</td> <td>>6-18</td> <td>>18-50</td> <td>>50-120</td> <td>>120</td> </tr> <tr> <td>±.4</td> <td>±.5</td> <td>±.5</td> <td>±.8</td> <td>± 1.0</td> </tr> </table> <p>ANGLES: ± 5°</p>		0-6	>6-18	>18-50	>50-120	>120	±.4	±.5	±.5	±.8	± 1.0	<p>APPROVALS</p> <table border="1"> <tr> <td>DRAWN</td> <td>JWH</td> <td>7/18/2025</td> </tr> <tr> <td>CHECKED</td> <td>JYL</td> <td>7/23/2025</td> </tr> <tr> <td>PM APPRV</td> <td>JF</td> <td>7/23/2025</td> </tr> <tr> <td>QC APPRV</td> <td>MV</td> <td>7/24/2025</td> </tr> <tr> <td>ENG APPRV</td> <td>CMS</td> <td>7/24/2025</td> </tr> </table>		DRAWN	JWH	7/18/2025	CHECKED	JYL	7/23/2025	PM APPRV	JF	7/23/2025	QC APPRV	MV	7/24/2025	ENG APPRV	CMS	7/24/2025	<p>ANDERSONPOWER</p> <p>TITLE IBC320 PLUG HOUSING</p>	
0-6	>6-18	>18-50	>50-120	>120																										
±.4	±.5	±.5	±.8	± 1.0																										
DRAWN	JWH	7/18/2025																												
CHECKED	JYL	7/23/2025																												
PM APPRV	JF	7/23/2025																												
QC APPRV	MV	7/24/2025																												
ENG APPRV	CMS	7/24/2025																												
<p>MATERIAL: PC/PBT</p> <p>FINISH: SEE TABLE</p>		<p>COA NO. 5489</p> <p>PROD. LINE IBC</p>																												
<p>3rd ANGLE PROJECTION</p>		<p>SIZE B</p> <p>DWG NO. B03164S1</p> <p>REV. 0</p>																												
<p>-CAD GENERATED DRAWING- DO NOT MANUALLY UPDATE DO NOT SCALE</p>		<p>SCALE 1:1</p> <p>CADFILE 06438</p> <p>SHEET 1 OF 1</p>																												

REV.	DESCRIPTION	APPRV	DATE
REVISIONS			

E
D
C
B
A

E
D
C
B
A

8

7

6

5

4

3

2

1