

8

7

6

5

4

3

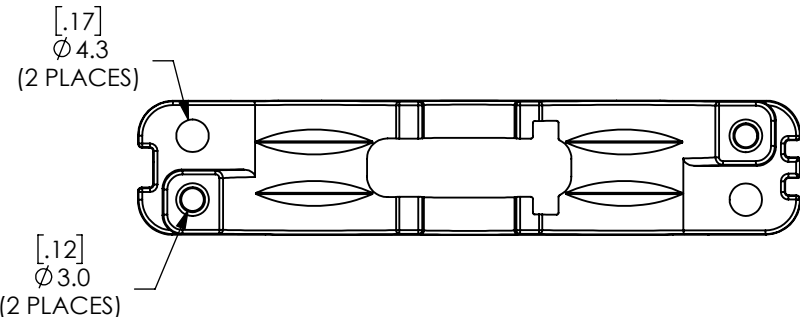
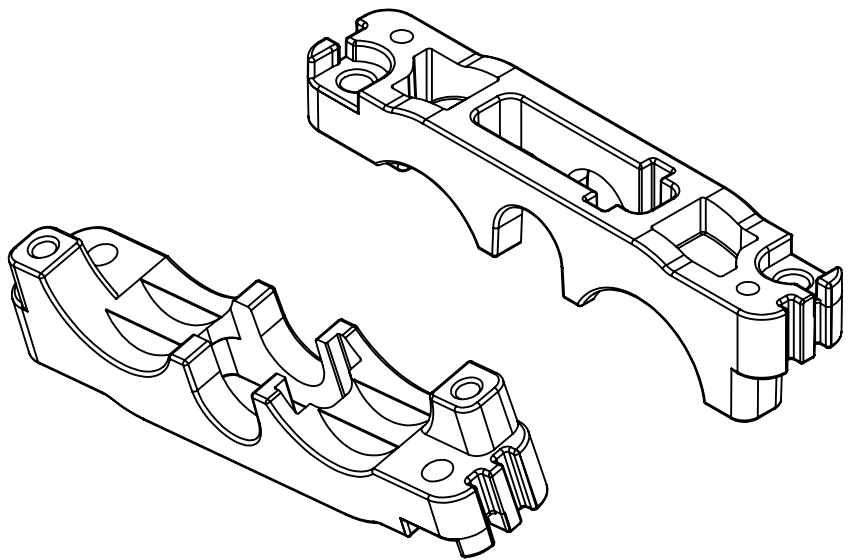
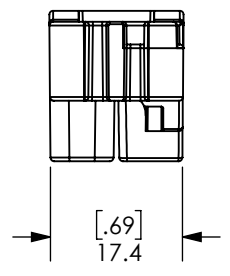
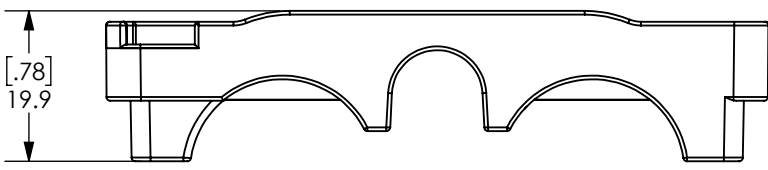
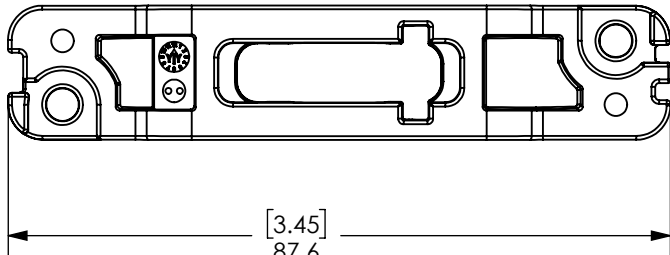
2

1

THE INFORMATION CONTAINED IN THIS DRAWING IS THE SOLE PROPERTY OF ANDERSON POWER PRODUCTS. ANY REPRODUCTION IN PART OR WHOLE WITHOUT THE WRITTEN PERMISSION OF ANDERSON POWER PRODUCTS IS PROHIBITED.

Copyright 2025

ANDERSON POWER PRODUCTS RESERVES THE RIGHT TO ALTER PRODUCT TYPES, THEIR TECHNICAL DATA, DIMENSION, STYLE AND ACCESSORIES WITHOUT PRIOR NOTIFICATION.



PART NUMBER	COLOR
IBC320-CLAMP-BASE	BLACK

<p>DIMENSIONS ARE IN MM. INCH DIMENSIONS SHOWN IN [] ARE FOR REFERENCE ONLY</p> <p>GENERAL TOLERANCE IN MM UNLESS SPECIFIED OTHERWISE:</p> <table border="1"> <tr> <td>0-6</td> <td>>6-18</td> <td>>18-50</td> <td>>50-120</td> <td>>120</td> </tr> <tr> <td>±.4</td> <td>±.5</td> <td>±.5</td> <td>±.8</td> <td>± 1.0</td> </tr> </table> <p>ANGLES: ± 5°</p>	0-6	>6-18	>18-50	>50-120	>120	±.4	±.5	±.5	±.8	± 1.0	<i>APPROVALS</i>		ANDERSONPOWER		
	0-6	>6-18	>18-50	>50-120	>120										
	±.4	±.5	±.5	±.8	± 1.0										
	DRAWN	JWH	7/14/2025	TITLE IBC320 CABLE CLAMP BASE SALES DRAWING											
CHECKED	JYL	7/23/2025													
PM APPRV	JF	7/23/2025													
QC APPRV	MV	7/24/2025	COA NO.	5489		PROD. LINE	IBC								
ENG APPRV	CMS	7/24/2025	SIZE	B		DWG NO.	B03166S1								
MATERIAL: PC/PBT			SCALE	1:1		REV.	0								
FINISH: SEE TABLE			CADFILE	06445		SHEET	1 OF 1								

REV.	DESCRIPTION	APPRV	DATE
REVISIONS			

E
D
C
B
A

E
D
C
B
A

8 7 6 5 4 3 2 1