

8

7

6

5

4

3

2

1

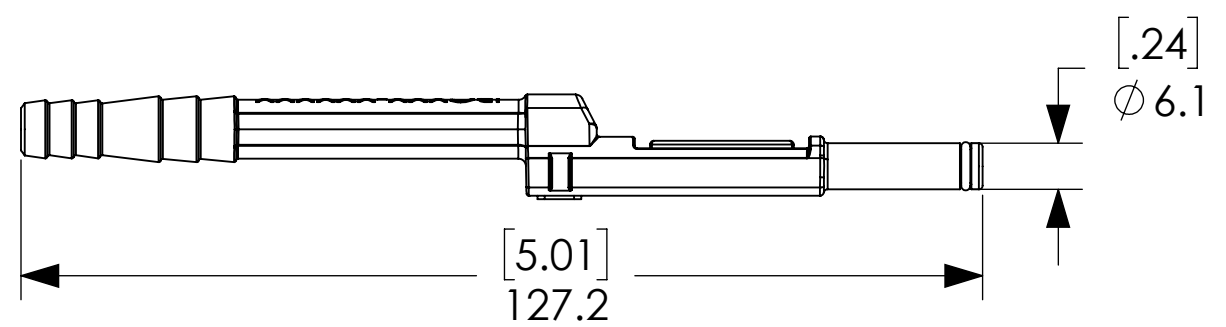
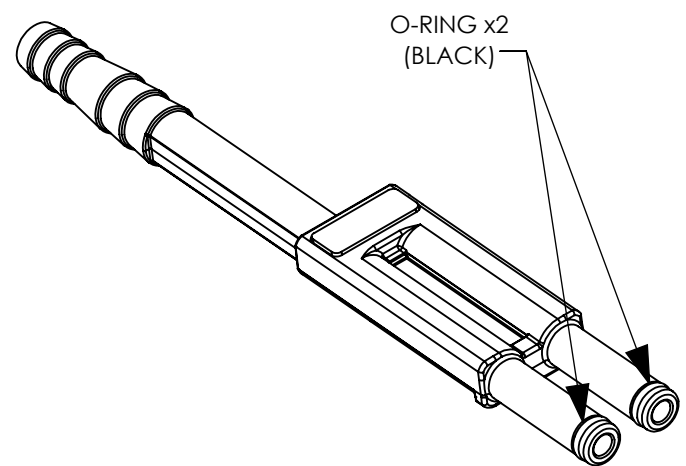
THE INFORMATION CONTAINED IN THIS DRAWING IS THE SOLE PROPERTY OF ANDERSON POWER PRODUCTS. ANY REPRODUCTION IN PART OR WHOLE WITHOUT THE WRITTEN PERMISSION OF ANDERSON POWER PRODUCTS IS PROHIBITED.

Copyright 2025

ANDERSON POWER PRODUCTS RESERVES THE RIGHT TO ALTER PRODUCT TYPES, THEIR TECHNICAL DATA, DIMENSION, STYLE AND ACCESSORIES WITHOUT PRIOR NOTIFICATION.

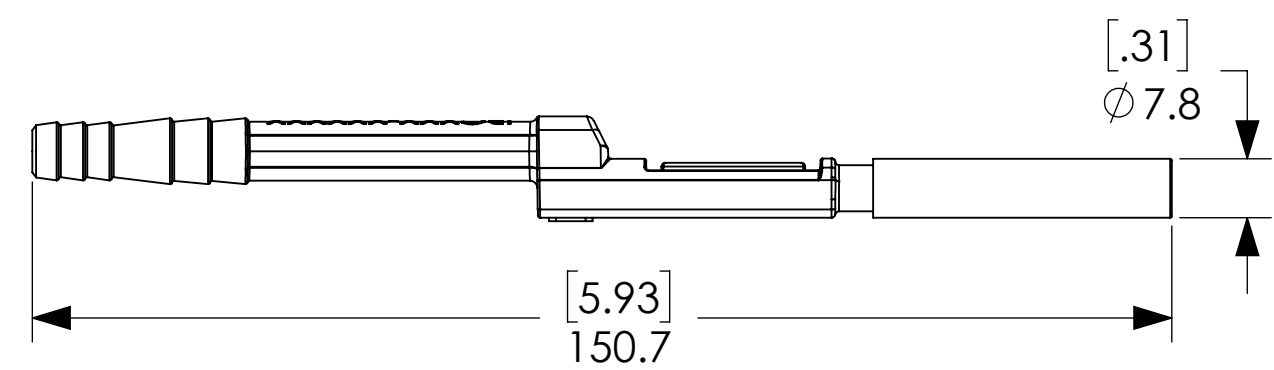
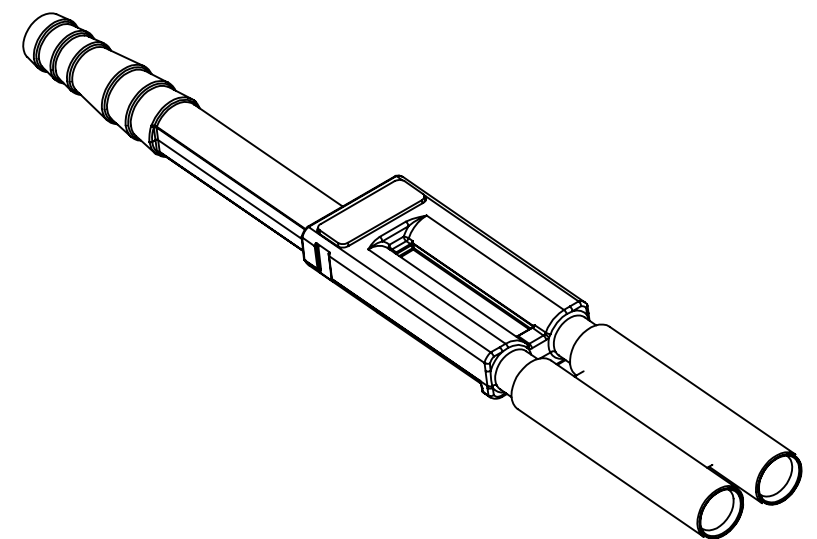
PLUG SIDE

| PART NUMBER         | COLOR |
|---------------------|-------|
| IBC320-AIRTUBE-MALE | WHITE |



RECEPTACLE SIDE

| PART NUMBER           | COLOR |
|-----------------------|-------|
| IBC320-AIRTUBE-FEMALE | WHITE |



- NOTES:
- AIR TUBES FOR USE WITH IBC320-HOLDER-AIR ONLY.
  - IBC320-AIRTUBE-MALE FOR USE WITH IBC320-PLUG-BLK.
  - IBC320-AIRTUBE-FEMALE FOR USE WITH IBC320-REC-BLK & IBC320-PMREC-BLK.

|  |       |  |         |        |         |      |     |     |     |     |       |   |  |       |     |           |         |     |           |          |    |           |          |    |           |           |     |           |  |  |
|--|-------|--|---------|--------|---------|------|-----|-----|-----|-----|-------|---|--|-------|-----|-----------|---------|-----|-----------|----------|----|-----------|----------|----|-----------|-----------|-----|-----------|--|--|
| <p><b>DIMENSIONS ARE IN MM. INCH DIMENSIONS SHOWN IN [ ] ARE FOR REFERENCE ONLY</b></p> <p>GENERAL TOLERANCE IN MM UNLESS SPECIFIED OTHERWISE:</p> <table border="1"> <tr> <td>0-6</td> <td>&gt;6-18</td> <td>&gt;18-50</td> <td>&gt;50-120</td> <td>&gt;120</td> </tr> <tr> <td>±.4</td> <td>±.5</td> <td>±.5</td> <td>±.8</td> <td>± 1.0</td> </tr> </table> <p>ANGLES: ± 5°</p> |       | 0-6  | >6-18   | >18-50 | >50-120 | >120 | ±.4 | ±.5 | ±.5 | ±.8 | ± 1.0 | <p><i>APPROVALS</i></p> <table border="1"> <tr> <td>DRAWN</td> <td>JWH</td> <td>7/17/2025</td> </tr> <tr> <td>CHECKED</td> <td>JYL</td> <td>7/23/2025</td> </tr> <tr> <td>PM APPRV</td> <td>JF</td> <td>7/23/2025</td> </tr> <tr> <td>QC APPRV</td> <td>MV</td> <td>7/24/2025</td> </tr> <tr> <td>ENG APPRV</td> <td>CMS</td> <td>7/24/2025</td> </tr> </table> |  | DRAWN | JWH | 7/17/2025 | CHECKED | JYL | 7/23/2025 | PM APPRV | JF | 7/23/2025 | QC APPRV | MV | 7/24/2025 | ENG APPRV | CMS | 7/24/2025 | <p><b>ANDERSONPOWER</b></p> <p>TITLE<br/>IBC320 MALE AND FEMALE AIR TUBE</p> |  |
| 0-6  | >6-18 | >18-50   | >50-120 | >120   |         |      |     |     |     |     |       |   |  |       |     |           |         |     |           |          |    |           |          |    |           |           |     |           |  |  |
| ±.4  | ±.5   | ±.5  | ±.8     | ± 1.0  |         |      |     |     |     |     |       |   |  |       |     |           |         |     |           |          |    |           |          |    |           |           |     |           |  |  |
| DRAWN  | JWH   | 7/17/2025  |         |        |         |      |     |     |     |     |       |   |  |       |     |           |         |     |           |          |    |           |          |    |           |           |     |           |  |  |
| CHECKED  | JYL   | 7/23/2025  |         |        |         |      |     |     |     |     |       |   |  |       |     |           |         |     |           |          |    |           |          |    |           |           |     |           |  |  |
| PM APPRV   | JF    | 7/23/2025  |         |        |         |      |     |     |     |     |       |   |  |       |     |           |         |     |           |          |    |           |          |    |           |           |     |           |  |  |
| QC APPRV   | MV    | 7/24/2025  |         |        |         |      |     |     |     |     |       |   |  |       |     |           |         |     |           |          |    |           |          |    |           |           |     |           |  |  |
| ENG APPRV  | CMS   | 7/24/2025  |         |        |         |      |     |     |     |     |       |   |  |       |     |           |         |     |           |          |    |           |          |    |           |           |     |           |  |  |
| <p>MATERIAL: PC/PBT</p> <p>FINISH: SEE TABLE</p>   |       | <p>COA NO. 5489</p> <p>PROD. LINE IBC</p>                          |         |        |         |      |     |     |     |     |       |   |  |       |     |           |         |     |           |          |    |           |          |    |           |           |     |           |  |  |
| <p>3rd ANGLE PROJECTION</p>  |       | <p>SIZE B</p> <p>DWG NO. B03167S1</p> <p>REV. 0</p>                |         |        |         |      |     |     |     |     |       |   |  |       |     |           |         |     |           |          |    |           |          |    |           |           |     |           |  |  |
| <p>-CAD GENERATED DRAWING- DO NOT MANUALLY UPDATE DO NOT SCALE</p>   |       | <p>SCALE 1:1</p> <p>CADFILE 320160-AIRTUBE</p> <p>SHEET 1 OF 1</p> |         |        |         |      |     |     |     |     |       |   |  |       |     |           |         |     |           |          |    |           |          |    |           |           |     |           |  |  |

8

7

6

5

4

3

2

1

E

D

C

B

A

E

D

C

B

A