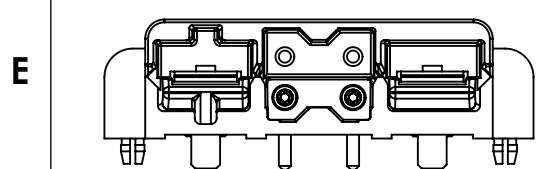


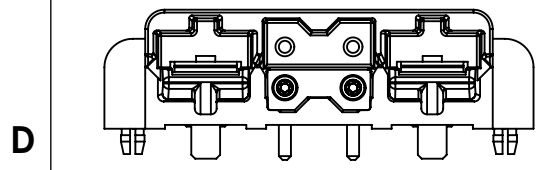
THE INFORMATION CONTAINED IN THIS DRAWING IS THE SOLE PROPERTY OF ANDERSON POWER PRODUCTS. ANY REPRODUCTION IN PART OR WHOLE WITHOUT THE WRITTEN PERMISSION OF ANDERSON POWER PRODUCTS IS PROHIBITED.

Copyright 2011

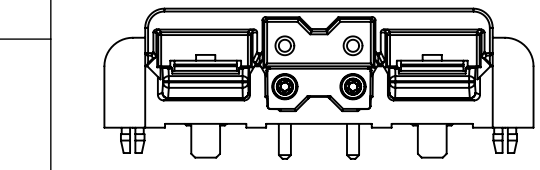
ANDERSON POWER PRODUCTS RESERVES THE RIGHT TO ALTER PRODUCT TYPES, THEIR TECHNICAL DATA, DIMENSION, STYLE AND ACCESSORIES WITHOUT PRIOR NOTIFICATION.



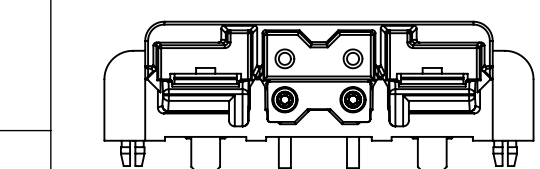
BROWN KEY



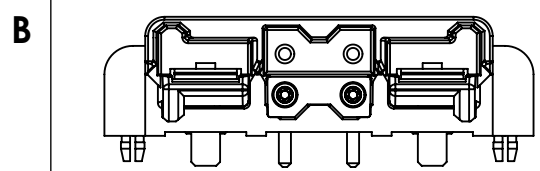
WHITE KEY



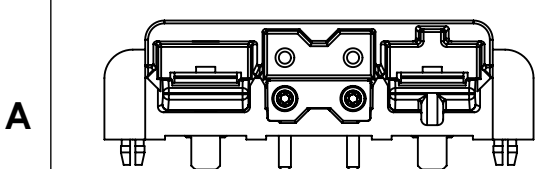
BLUE KEY



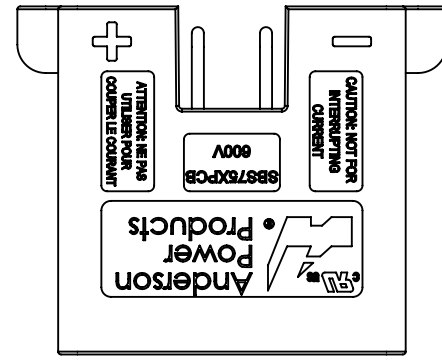
GRAY KEY



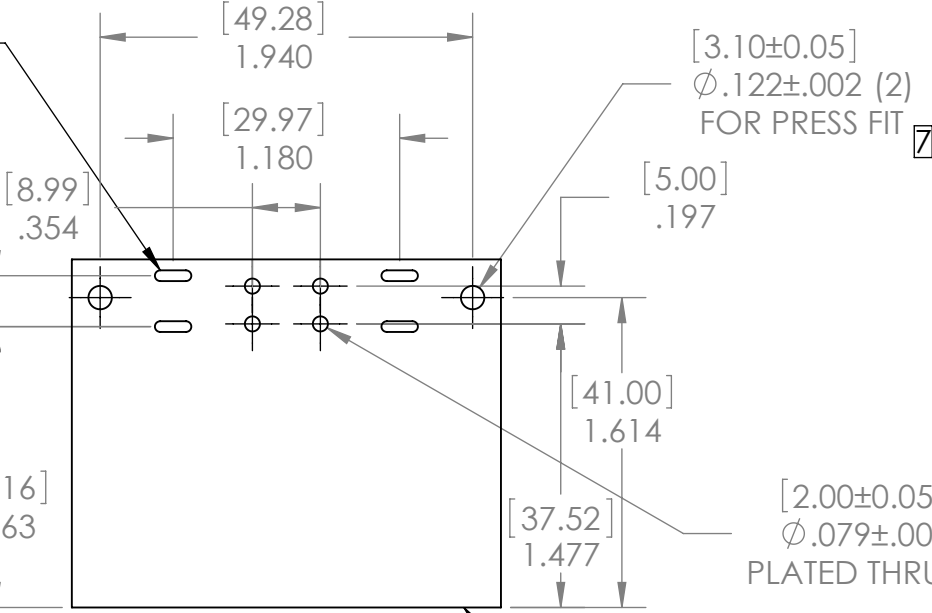
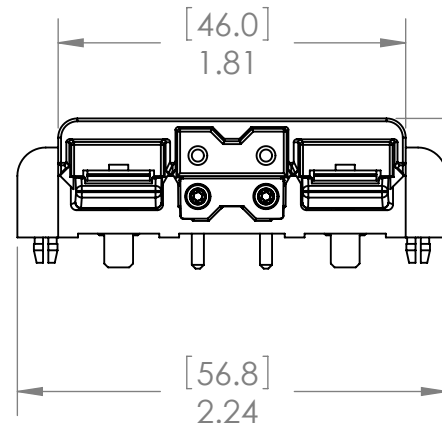
BLACK KEY



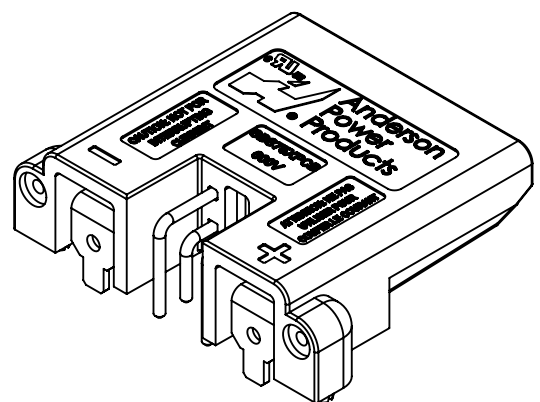
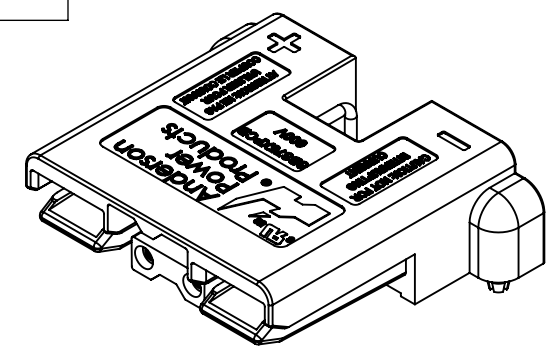
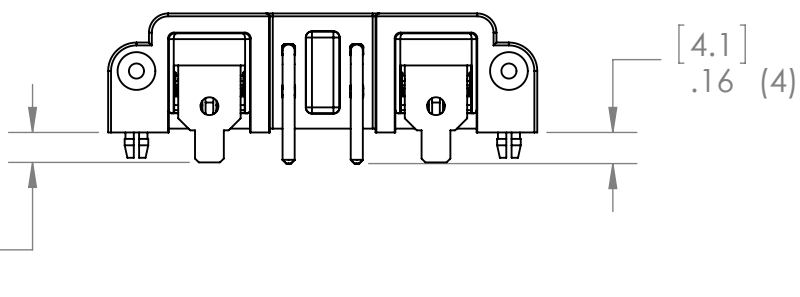
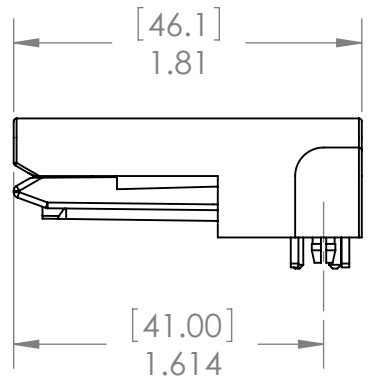
GREEN KEY



PCB LAYOUT



CONNECTOR ENVELOPE



- NOTES:
- HOUSING MATERIAL: POLYCARBONATE
 - POWER CONTACT MATERIAL: COPPER ALLOY
 - SIGNAL CONTACT MATERIAL: BRASS
 - CONTACT FACTORY FOR ADDITIONAL COLORS AND KEYS
 - PLATED SLOT FOR .150[3.8] X .040[1.02] TERMINAL

COLOR	VOLTAGE	APP PART NO.
GREEN	72	NOT RELEASED
GRAY	36	NOT RELEASED
BLUE	48	NOT RELEASED
BLACK	80	SBS75XPRBLK
BROWN	96	NOT RELEASED
WHITE	192	NOT RELEASED

REV.	DESCRIPTION	APPRV	DATE
7	ECRN-15514	TWE	11/18/2013
6	ECRN 15266	NTS	11/6/2012
5	ECRN 14926	LLD	7/15/2011
4	ECRN 14918	NTS	6/6/2011
3	ECRN 14847	NTS	3/4/2011

REVISIONS

DIMENSIONS ARE IN:	INCH [MM]	APPROVALS		 ANDERSON POWER PRODUCTS	
UNLESS OTHERWISE STATED		DRAWN	NTS		12/18/2009
TOLERANCES:		CHECKED	DJD		12/18/2009
DECIMALS (INCH)	DECIMALS (MM)	MFG APPRV	CHB		12/21/2009
.XX ± .02	.X ± .5	QC APPRV	UFN	12/21/2009	
SURFACE FINISH:		ENG APPRV	BD	12/21/2009	
MACHINED 64 [1.6]		SIZE		B	
MOLDED 32 [0.8]		DWG NO.		B02085S1	
MATERIAL: SEE NOTES		REV.		7	
FINISH:		SCALE		NONE	
3rd ANGLE PROJECTION		CADFILE		03061	
-CAD GENERATED DRAWING- DO NOT MANUALLY UPDATE DO NOT SCALE		SHEET		1 OF 1	