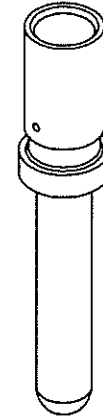
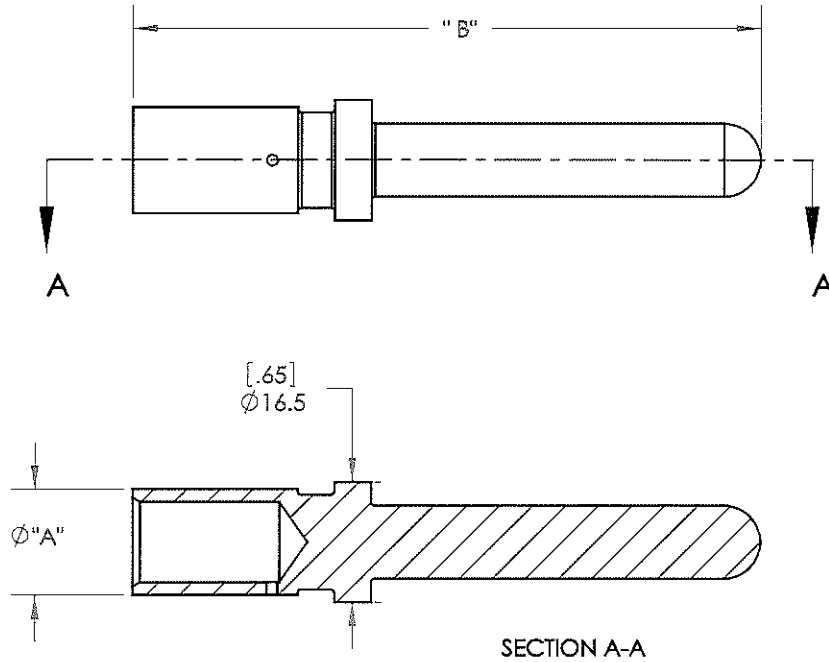
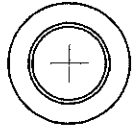


THE INFORMATION CONTAINED IN THIS DRAWING IS THE SOLE PROPERTY OF ANDERSON POWER PRODUCTS. ANY REPRODUCTION IN PART OR WHOLE WITHOUT THE WRITTEN PERMISSION OF ANDERSON POWER PRODUCTS IS PROHIBITED.

Copyright 2005

ANDERSON POWER PRODUCTS RESERVES THE RIGHT TO ALTER PRODUCT TYPES, THEIR TECHNICAL DATA, DIMENSION, STYLE AND ACCESSORIES WITHOUT PRIOR NOTIFICATION.



CAT. NO.	DESCRIPTION	"A"	"B"
320-1035	320A PIN (35 MM WIRE)	12.5[.49]	85.5[3.37]
320-1050	320A PIN (50MM OR 1/0 AWG WIRE)	14.5[.57]	85.5[3.37]
320-1070	320A PIN (70MM OR 2/0 AWG WIRE)	17.0[.67]	85.5[3.37]
320-1095	320A PIN (95MM OR 3/0 AWG WIRE)	19.8[.78]	90.5[3.56]
320-1004	320A PIN (4/0 AWG WIRE)	19.8[.78]	90.5[3.56]

DIMENSIONS ARE IN:		MM [INCH]		APPROVALS		ANDERSON POWER PRODUCTS	
UNLESS OTHERWISE STATED				DRAWN	AMP	5/13/2005	TITLE
TOLERANCES:				CHECKED	DJD	5/17/2005	
DECIMALS (INCH)	DECIMALS (MM)	ANGLES		MFG APPRV	CHB	5/13/2005	EBC DIN CONTACT 320A PIN SALES OUTLINE
.XX ± .040	X ± 1.0	±2°		QC APPRV	UFN	5/13/2005	
SURFACE FINISH:				ENG APPRV	DAM	5/13/2005	
MACHINED 3.2µ [128µin]				MATERIAL:		SIZE	DWG NO.
MOLDED 1.6µ [64µin]				COPPER ALLOY		A	320-1000S1
FINISH:				SILVER PLATE		REV.	3
3rd ANGLE PROJECTION				-CAD GENERATED DRAWING- DO NOT MANUALLY UPDATE DO NOT SCALE		SCALE	CADFILE
						NONE	02309
						SHEET	
						1 OF 1	

REV.	DESCRIPTION	APPRV	DATE
3	ECRN-15809 MATCH DWG TO PART	TWE	4/13/2015
2	ECRN-14085 COMBINE AWG AND METRIC	AMP	11/28/06
1	ECRN-13844 ADD 35MM INFORMATION TO TABLE	AMP	6/3/05
REVISIONS			