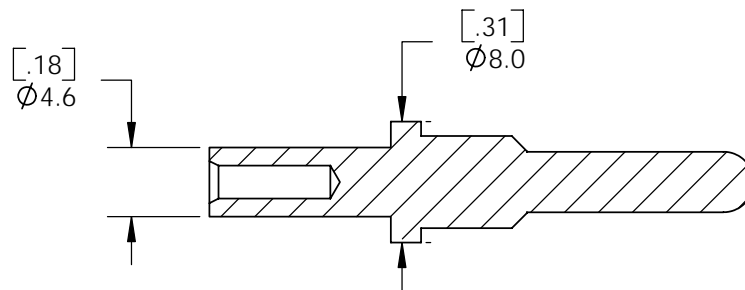
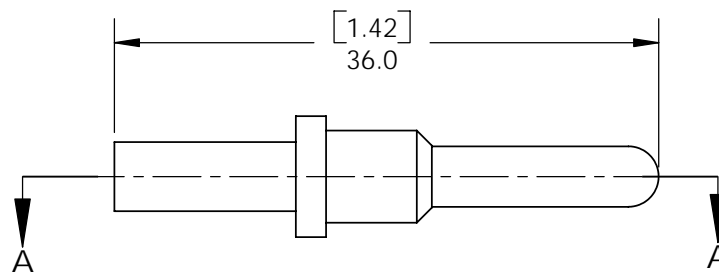
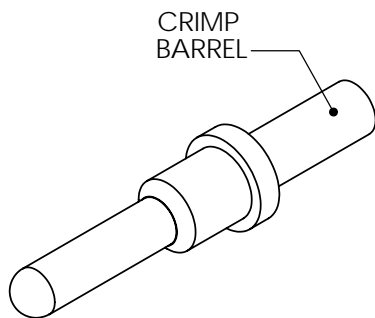
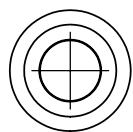



THE INFORMATION CONTAINED IN THIS DRAWING IS THE SOLE PROPERTY OF ANDERSON POWER PRODUCTS. ANY REPRODUCTION IN PART OR WHOLE WITHOUT THE WRITTEN PERMISSION OF ANDERSON POWER PRODUCTS IS PROHIBITED.

Copyright 2005

ANDERSON POWER PRODUCTS RESERVES THE RIGHT TO ALTER PRODUCT TYPES, THEIR TECHNICAL DATA, DIMENSION, STYLE AND ACCESSORIES WITHOUT PRIOR NOTIFICATION.



SECTION A-A

DIMENSIONS ARE IN:		<input checked="" type="checkbox"/> INCH[MM]	<input type="checkbox"/> MM[INCH]	APPROVALS		 ANDERSON POWER PRODUCTS	
UNLESS OTHERWISE STATED				DRAWN		TITLE	
TOLERANCES:				AMP		SALES OUTLINE	
DECIMALS (INCH)		DECIMALS (MM)	ANGLES	DJD		EBC DIN AUX. PIN CONTACT	
XX ± .02		X ± .5	± 2°	5/11/05		CAT. NO. 320-22 (14/18 AWG)	
SURFACE FINISH:				MFG APP		SIZE	
MACHINED		128 [3.2]	<input checked="" type="checkbox"/>	CHB		DWG NO.	
MOLDED		64 [1.6]	<input checked="" type="checkbox"/>	5/11/05		320-22 S1	
MATERIAL: COPPER ALLOY				QC APP		REV.	
FINISH: SILVER PLATE				UFN		0	
				ENG APP		SCALE	
				DAM		NONE	
				-CAD GENERATED DRAWING- DO NOT MANUALLY UPDATE DO NOT SCALE		CADFILE	
						02317	
						SHEET	
						1 OF 1	

REV.	DESCRIPTION OF CHANGES	APPROVED	DATE

