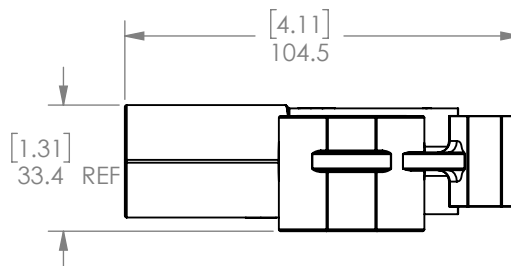
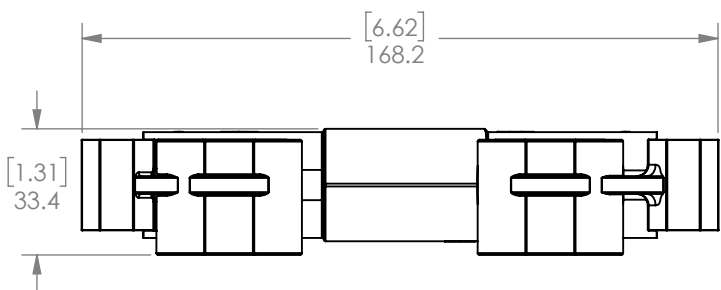
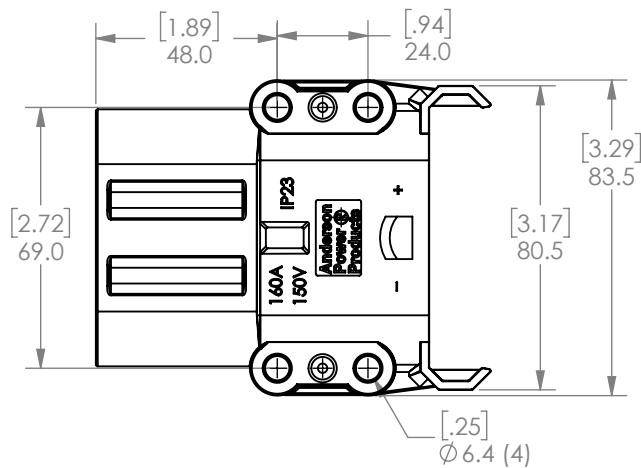
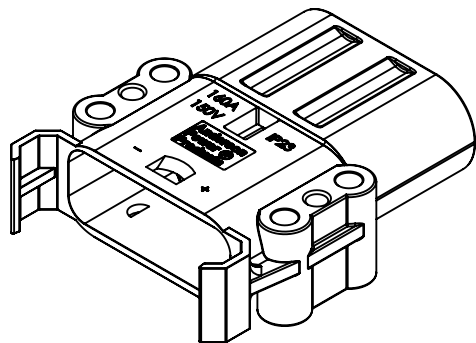


8 7 6 5 4 3 2 1

THE INFORMATION CONTAINED IN THIS DRAWING IS THE SOLE PROPERTY OF ANDERSON POWER PRODUCTS. ANY REPRODUCTION IN PART OR WHOLE WITHOUT THE WRITTEN PERMISSION OF ANDERSON POWER PRODUCTS IS PROHIBITED.

Copyright 2017

ANDERSON POWER PRODUCTS RESERVES THE RIGHT TO ALTER PRODUCT TYPES, THEIR TECHNICAL DATA, DIMENSION, STYLE AND ACCESSORIES WITHOUT PRIOR NOTIFICATION.



PART NO.	DESCRIPTION	MATERIAL	COLOR
160-1	ABC PIN HSG. (160A)	NYLON	BLACK
EP160-1	EBC PIN HSG. (160A)	PBT-PC BLEND	GRAY

DIMENSIONS ARE IN:	MM [INCH]	<i>APPROVALS</i>		 ANDERSON POWER PRODUCTS			
UNLESS OTHERWISE STATED		DRAWN	AMP 6/7/2005				
TOLERANCES:		CHECKED	DJD 6/9/2005				
DECIMALS (INCH) DECIMALS (MM) ANGLES .XX ± .015 .X ± .38 ±.5° .XXX ± .005 .XX ± .13		MFG APPRV	CHB 6/7/2005				
SURFACE FINISH:		QC APPRV	JJA 6/9/2005	TITLE 160A MALE PIN HOUSING FOR DIN CONNECTORS			
MACHINED 3.2µ [128µin] ✓ MOLDED 1.6µ [64µin] ✓		ENG APPRV	DAM 6/8/2005				
MATERIAL: SEE TABLE FINISH:		SIZE	A				
		-CAD GENERATED DRAWING- DO NOT MANUALLY UPDATE DO NOT SCALE	DWG NO.	E160-1S1	REV.	3	
		SCALE	1:2	CADFILE	02358	SHEET	1 OF 1

REV.	DESCRIPTION	APPRV	DATE
3	ECN 2017-0025	CMS	4/11/2017
2	ECRN 14292- REMOVE "E" & "EN" SERIES PART NUMBERS	AMS	07/25/08
1	ECRN 13946- ADD "EP" & "EN" PART NUMBERS	AMS	01/19/06
REVISIONS			

8 7 6 5 4 3 2 1