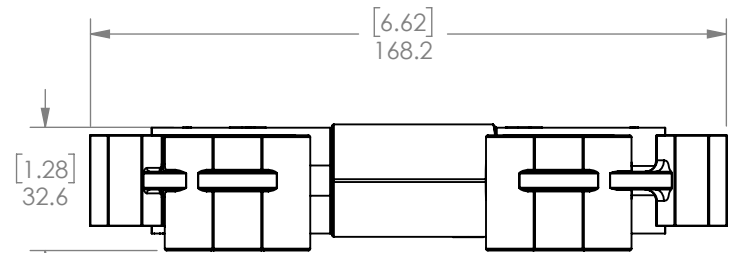
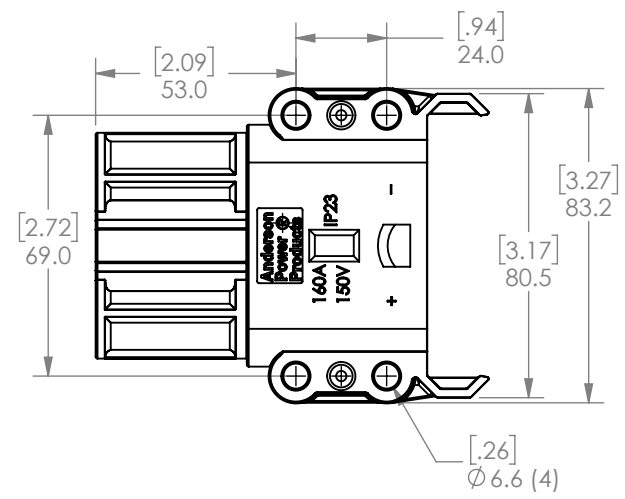
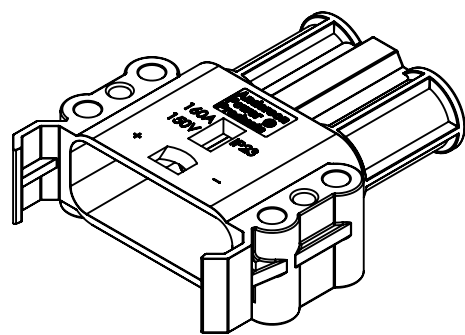


8 7 6 5 4 3 2 1

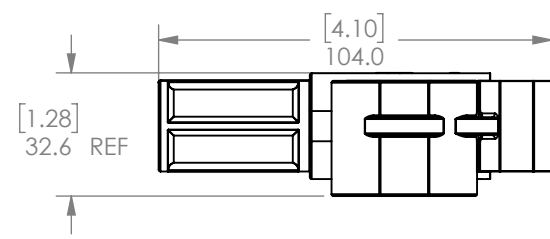
THE INFORMATION CONTAINED IN THIS DRAWING IS THE SOLE PROPERTY OF ANDERSON POWER PRODUCTS. ANY REPRODUCTION IN PART OR WHOLE WITHOUT THE WRITTEN PERMISSION OF ANDERSON POWER PRODUCTS IS PROHIBITED.

Copyright 2017

ANDERSON POWER PRODUCTS RESERVES THE RIGHT TO ALTER PRODUCT TYPES, THEIR TECHNICAL DATA, DIMENSION, STYLE AND ACCESSORIES WITHOUT PRIOR NOTIFICATION.



MATED PAIR



PART NO.	DESCRIPTION	MATERIAL	COLOR
160-2	ABC SOCKET HSG. (160A)	NYLON	BLACK
EP160-2	EBC SOCKET HSG. (160A)	PBT-PC BLEND	GRAY

REV.	DESCRIPTION	APPRV	DATE
3	ECN 2017-0025	CMS	4/11/2017
2	ECRN 14292:- REMOVE "E" & "EN" SERIES PART NUMBERS	AMS	7/25/08
1	ECRN 13946: ADD "EP" & "EN" SERIES PART NUMBERS	AMS	1/19/06

REVISIONS

DIMENSIONS ARE IN:	MM [INCH]	APPROVALS		 ANDERSON POWER PRODUCTS	
UNLESS OTHERWISE STATED		DRAWN	AMP 6/7/2005		TITLE 160A FEMALE SOCKET HOUSING FOR DIN CONNECTORS
TOLERANCES:		CHECKED	DJD 6/9/2005		
DECIMALS (INCH) DECIMALS (MM) ANGLES		MFG APPRV	CHB 6/7/2005		
.XX ± .015 .X ± .38 ± 5°		QC APPRV	JJA 6/9/2005		
.XXX ± .005 .XX ± .13		ENG APPRV	DAM 6/8/2005	SIZE A	
SURFACE FINISH:				DWG NO. E160-2S1	
MACHINED 3.2µ [128µin] ✓				REV. 3	
MOLDED 1.6µ [64µin] ✓				SCALE 1:2	
MATERIAL: SEE TABLE				CADFILE 02357	
FINISH: N/A				SHEET 1 OF 1	
 3rd ANGLE PROJECTION		-CAD GENERATED DRAWING- DO NOT MANUALLY UPDATE DO NOT SCALE			

8 7 6 5 4 3 2 1