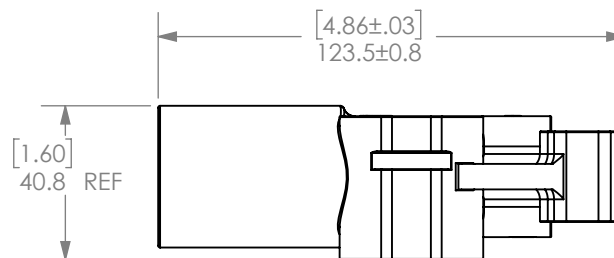
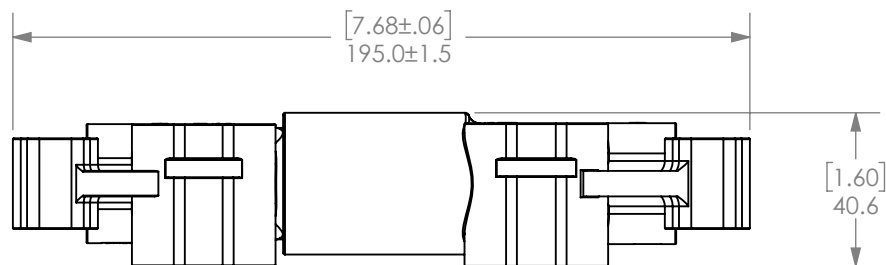
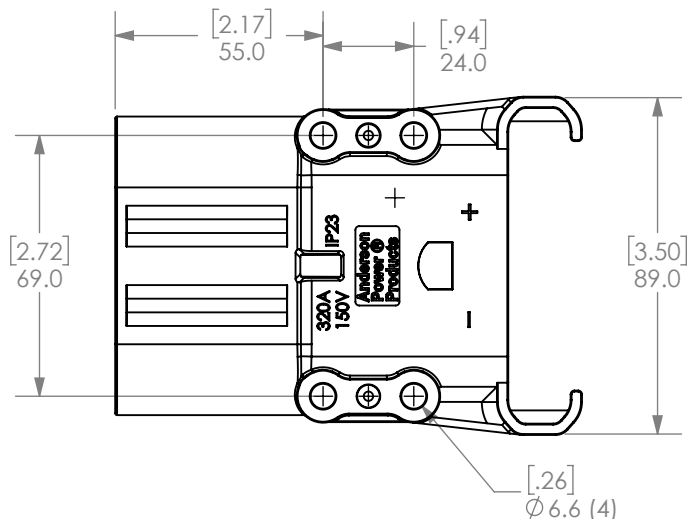
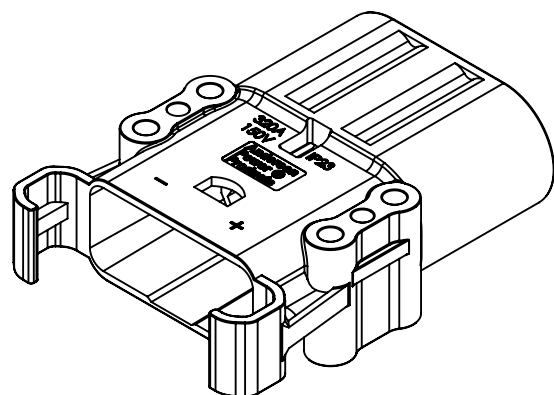


8 7 6 5 4 3 2 1

THE INFORMATION CONTAINED IN THIS DRAWING IS THE SOLE PROPERTY OF ANDERSON POWER PRODUCTS. ANY REPRODUCTION IN PART OR WHOLE WITHOUT THE WRITTEN PERMISSION OF ANDERSON POWER PRODUCTS IS PROHIBITED.

Copyright 2017

ANDERSON POWER PRODUCTS RESERVES THE RIGHT TO ALTER PRODUCT TYPES, THEIR TECHNICAL DATA, DIMENSION, STYLE AND ACCESSORIES WITHOUT PRIOR NOTIFICATION.



MATED PAIR

PART NO.	DESCRIPTION	MATERIAL	COLOR
320-1	ABC PIN HSG. (320A)	NYLON	BLACK
EP320-1	EBC PIN HSG. (320A)	PBT-PC BLEND	GRAY

DIMENSIONS ARE IN:	MM [INCH]	APPROVALS		 ANDERSON POWER PRODUCTS
UNLESS OTHERWISE STATED		DRAWN	AMP 6/7/2005	
TOLERANCES:		CHECKED	DJD 6/9/2005	
DECIMALS (INCH) DECIMALS (MM) ANGLES .XX ± .015 .X ± .38 ±.5° .XXX ± .005 .XX ± .13		MFG APPRV	CHB 6/7/2005	
SURFACE FINISH:		QC APPRV	JJA 6/9/2005	TITLE 320A MALE PIN HOUSING FOR DIN CONNECTORS
MACHINED 3.2µ [128µin] ✓ MOLDED 1.6µ [64µin] ✓		ENG APPRV	DAM 6/8/2005	
MATERIAL: SEE DATA SHEET		SIZE	A	DWG NO. E320-1S1
FINISH:		SCALE	1:2	CADFILE 02355
		-CAD GENERATED DRAWING- DO NOT MANUALLY UPDATE DO NOT SCALE		SHEET 1 OF 1

REV.	DESCRIPTION	APPRV	DATE
4	ECN 2017-0025	CMS	3/15/17
3	ECRN 14292- REMOVE "E" & "EN" SERIES PART NUMBERS	AMS	07/25/08
2	ECRN 14005- CHANGERS PER ISIR 06-003A	AMS	5/10/06
1	ECRN 13946- ADD "EP" & "EN" SERIES PART NUMBERS	AMS	1/19/06
REVISIONS			

8 7 6 5 4 3 2 1