

8

7

6

5

4

3

2

1

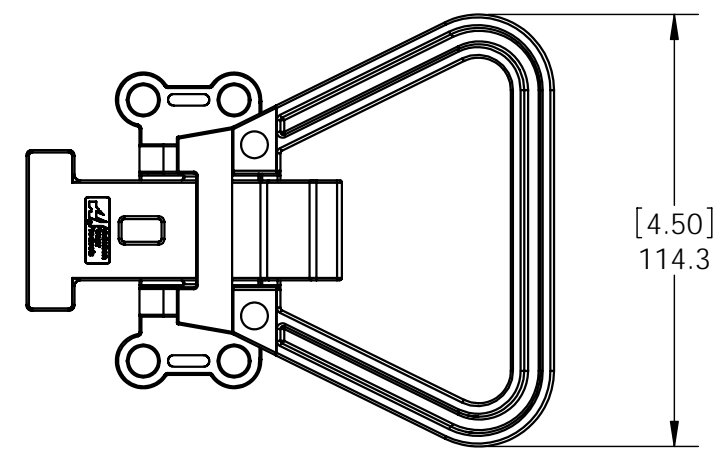
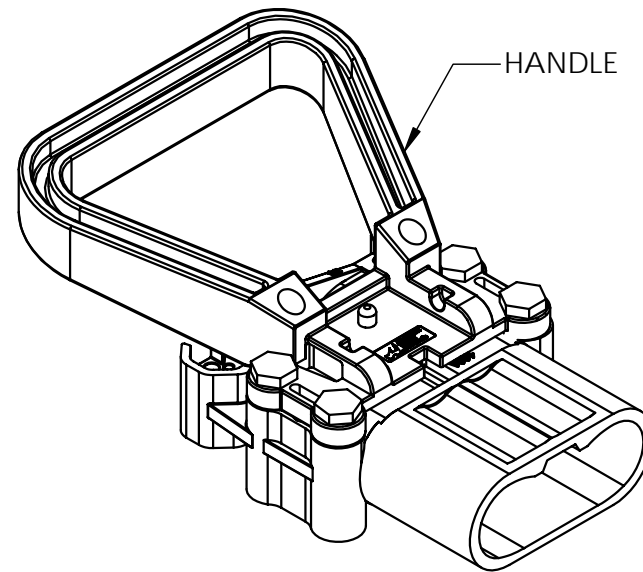
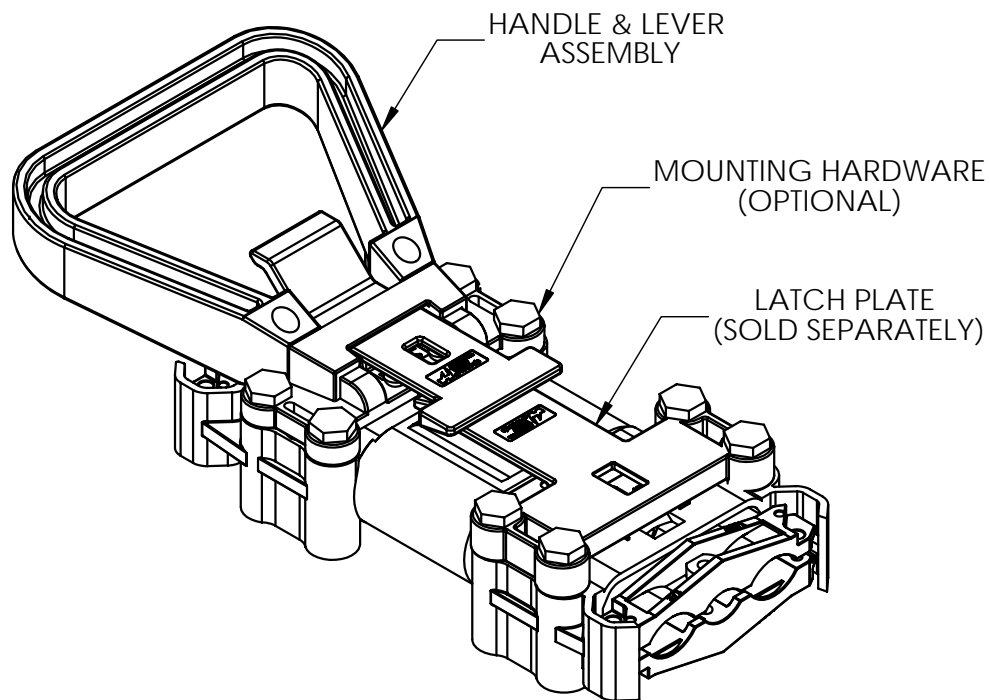
THE INFORMATION CONTAINED IN THIS DRAWING IS THE SOLE PROPERTY OF ANDERSON POWER PRODUCTS. ANY REPRODUCTION IN PART OR WHOLE WITHOUT THE WRITTEN PERMISSION OF ANDERSON POWER PRODUCTS IS PROHIBITED.

Copyright 2006

ANDERSON POWER PRODUCTS RESERVES THE RIGHT TO ALTER PRODUCT TYPES, THEIR TECHNICAL DATA, DIMENSION, STYLE AND ACCESSORIES WITHOUT PRIOR NOTIFICATION.

E

E

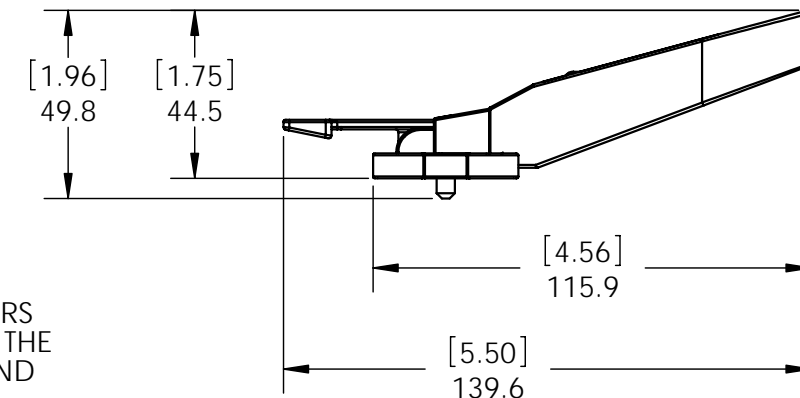
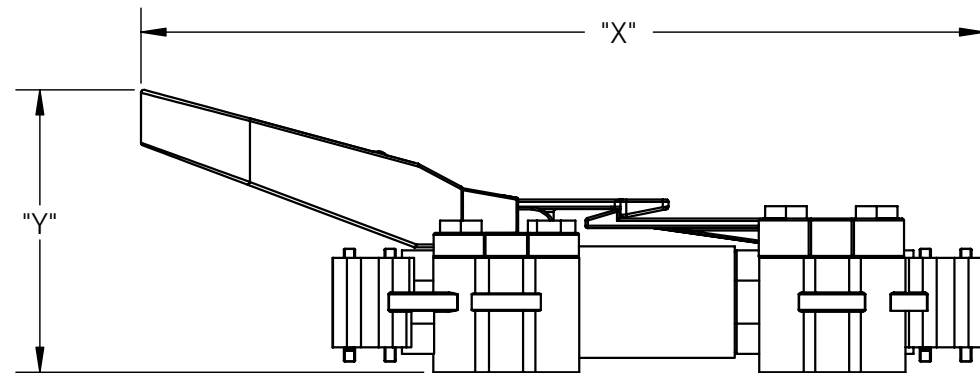


D

D

C

C



B

B

NOTES:

- FOR USE WITH 160A & 320A DIN CONNECTORS
- LATCH AND HANDLE CAN BE MOUNTED ON THE TOP (AS SHOWN) OR BOTTOM OF THE PIN AND SOCKET HOUSINGS
- CONNECTORS AND LATCH PLATE SOLD SEPARATELY
- HDW. BAG 106G17: (2) SCREWS, NUTS, AND WASHERS
HDW. BAG 106G11: (4) SCREWS, NUTS, AND WASHERS

A

A

CAT. NO.	INCLUDES THE FOLLOWING:
A320H	HANDLE
A320H-MK	HANDLE, HARDWARE BAG
A320HL	HANDLE & LEVER ASSY.
A320HL-MK	HANDLE & LEVER ASSY., HARDWARE BAG
A320LP	LATCH PLATE
A320LP-MK	LATCH PLATE, HARDWARE BAG
106G17	HARDWARE BAG FOR HANDLE (A320H & A320HL)
106G11	HARDWARE BAG FOR LATCH (A320LP)

CONNECTOR USED ON	DIM "X"		DIM "Y"	
	IN	MM	IN	MM
160A SERIES	8.70	220.9	2.95	74.8
320A SERIES	9.21	233.9	3.24	82.2

REV.	DESCRIPTION OF CHANGES	APPROVED	DATE
2	ECRN 14160 - CHANGE 106G17 QTY. FROM (4) TO (2)	AMS	06/20/07
1	ECRN 14076 - REVISE PART NUMBERS	AMS	11/13/06

DIMENSIONS ARE IN:	MM [INCH]	APPROVALS		<p>ANDERSON POWER PRODUCTS</p> <p>TITLE</p> <p>SALES OUTLINE DIN HANDLE & LEVER ASSEMBLY FOR 160A & 320A DIN CONNECTORS</p>
UNLESS OTHERWISE STATED		DRAWN	AMS 07/31/06	
TOLERANCES:		CHECKED	DJD 08/01/06	
DECIMALS (INCH) DECIMALS (MM) ANGLES		MFG APP	CHB 08/01/06	
.XX ± .02 .X ± .5 ± 2°		QC APP	UFN 08/01/06	
SURFACE FINISH:		ENG APP	DAM 07/31/06	
MACHINED 128 [3.2] ✓ MOLDED 64 [1.6] ✓		SIZE	B/A3	
MATERIAL: SEE B/M		DWG NO.	B02030S1	
FINISH: SEE B/M		REV.	2	
3rd ANGLE PROJECTION		SCALE	NONE	
1st ANGLE PROJECTION		CADFILE	02577	
-CAD GENERATED DRAWING- DO NOT MANUALLY UPDATE DO NOT SCALE		SHEET	1 OF 1	

8

7

6

5

4

3

2

1