

THE INFORMATION CONTAINED IN THIS DRAWING IS THE SOLE PROPERTY OF ANDERSON POWER PRODUCTS. ANY REPRODUCTION IN PART OR WHOLE WITHOUT THE WRITTEN PERMISSION OF ANDERSON POWER PRODUCTS IS PROHIBITED.

ANDERSON POWER PRODUCTS RESERVES THE RIGHT TO ALTER PRODUCT TYPES, THEIR TECHNICAL DATA, DIMENSION, STYLE AND ACCESSORIES WITHOUT PRIOR NOTIFICATION.

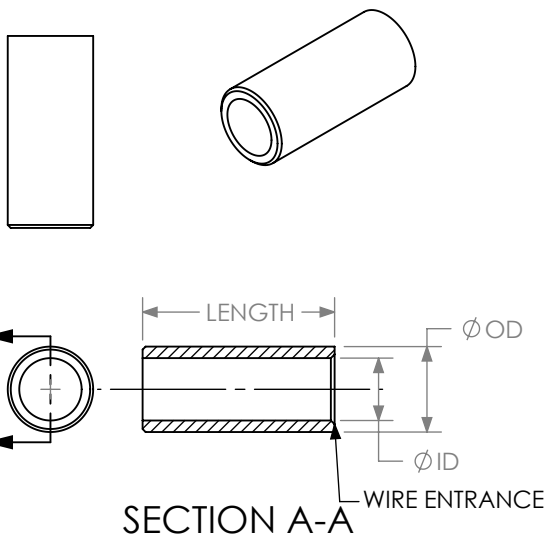
REV.	DESCRIPTION OF CHANGES	BY:	DATE
1	ECRN 13367 - CORRECTED ID DATA IN TABLE	CMS	2/23/01
2	ECRN- 13371 : .45 WAS .47	DJD	3/1/01
3	ECRN 13507	CMS	8/2/02
4	ECRN 13533	CMS	11/21/02
5	ECRN 14192: CORRECT METRIC TABLE CONVERSIONS	AMS	10/01/07
6	ECRN 14255: update table	CMS	4/18/08
7	ECRN 14754: UPDATE 5918	TWE	12/27/10

D

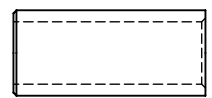
C

B

A



BUSHING



CABLE

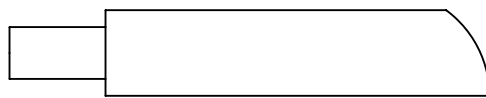


TABLE OF AVAILABLE REDUCING BUSHINGS

CATALOG NUMBER	CONNECTOR SERIES	FOR USE WITH CONTACT	WIRE RANGE (AWG)	ID		OD		LENGTH	
				IN	MM	IN	MM	IN	MM
5910	PP75/SB50	5900 OR 1307	#10/12	.14	3.6	.21	5.3	.47	11.9
5912	PP75/SB50	5900 OR 1307	#8/10	.18	4.6	.21	5.3	.45	11.4
5913	PP75/SB50	5900 OR 1307	#14/16	.09	2.3	.21	5.3	.47	11.9
5919	PP120/SB120	1319	#4	.28	7.1	.33	8.4	.84	21.3
5920	PP120/SB120	1319	#6/16MM	.23	5.8	.33	8.4	.84	21.3
5921	PP120/SB120	1319	#8/10	.18	4.6	.33	8.4	.84	21.3
5648	PP180/SB175 SBE160/SBX175	1382 OR 6384G1	#8/10	.19	4.8	.43	10.9	1.00	25.4
5663	PP180/SB175 SBE160/SBX175	1382 OR 6384G1	#6	.22	5.6	.43	10.9	1.00	25.4
5687	PP180/SB175 SBE160/SBX175	1382 OR 6384G1	#1	.39	9.9	.43	10.9	1.00	25.4
5690	PP180/SB175 SBE160/SBX175	1382 OR 6384G1	#2	.34	8.6	.43	10.9	1.00	25.4
5693	PP180/SB175 SBE160/SBX175	1382 OR 6384G1	#4	.27	6.9	.43	10.9	1.00	25.4
5918	SB350/SBE320 SBX350	907 OR 6354	1/0	.44	11.1	.48	12.1	1.12	28.4
5954	SBE700	6170G1	4/0	.65	16.5	.89	22.6	2.00	50.8

ITEM NO.	PART OR IDENTIFYING NO.	NOMENCLATURE OR DESCRIPTION	MATERIAL SPECIFICATION	QTY REQD
COPYRIGHT 1999 ANDERSON POWER PRODUCTS. ALL RIGHTS RESERVED. UNAUTHORIZED REPRODUCTION HEREBY PROHIBITED.				
DIMENSIONS ARE IN INCHES DIMENSIONS IN PARENTHESES [] ARE IN MILLIMETERS		CAD GENERATED DRAWING, DO NOT MANUALLY UPDATE		ANDERSON POWER PRODUCTS REDUCING BUSHINGS FOR PP AND SB/SBE/SBX SIZE A SPECIFICATION: 114204S1 REV. 7
TOLERANCES ARE: 2PL- ±.02 [±.5]		APPROVALS	DATE	
MATERIALS: COPPER		DRAWN CMS	10/26/99	
FINISH SILVER PLATE		CHECKED DJD	10/27/99	
DO NOT SCALE DRAWING		RESP ENG UFN	10/28/99	
		MFG ENG CHB	11/1/99	
		QUAL ENG RPO	11/1/99	SCALE NONE
			CADFILES/01133	SHEET 1 OF 1

D

C

B

A