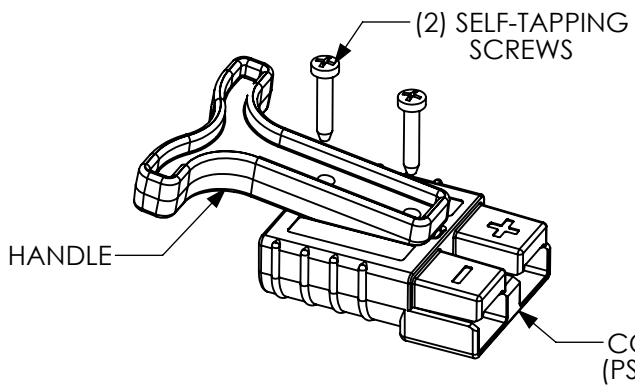


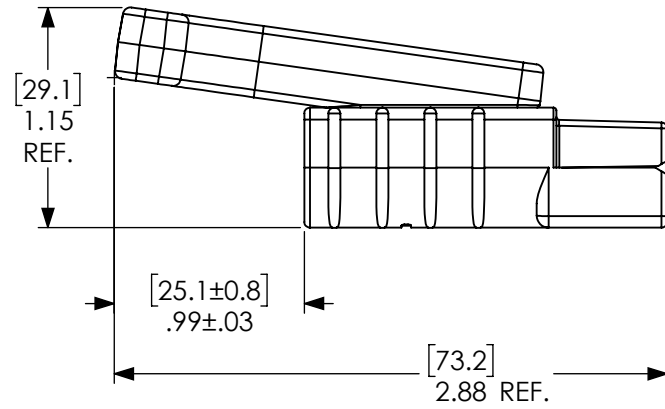
THE INFORMATION CONTAINED IN THIS DRAWING IS THE SOLE PROPERTY OF ANDERSON POWER PRODUCTS. ANY REPRODUCTION IN PART OR WHOLE WITHOUT THE WRITTEN PERMISSION OF ANDERSON POWER PRODUCTS IS PROHIBITED.

**Copyright 2016**

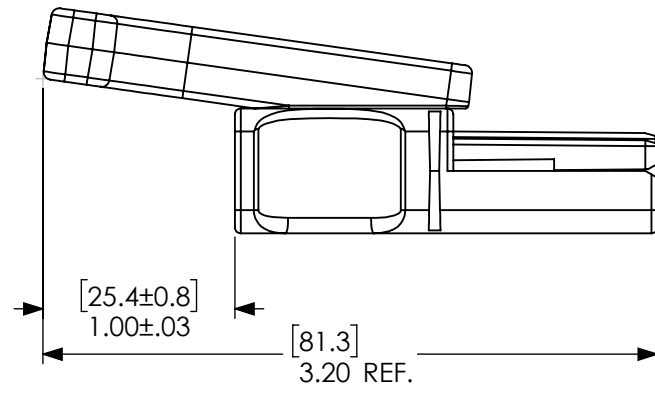
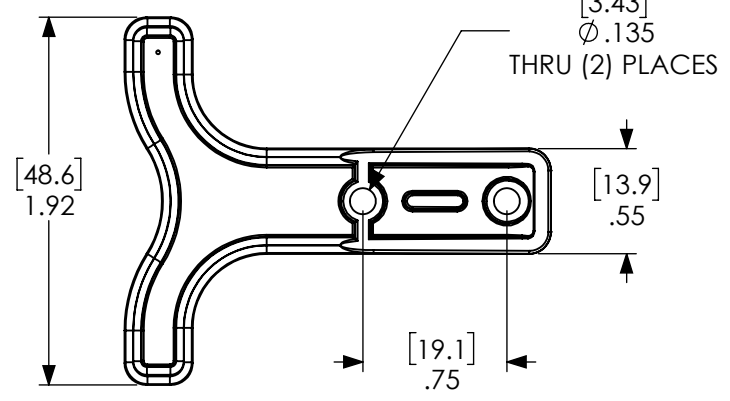
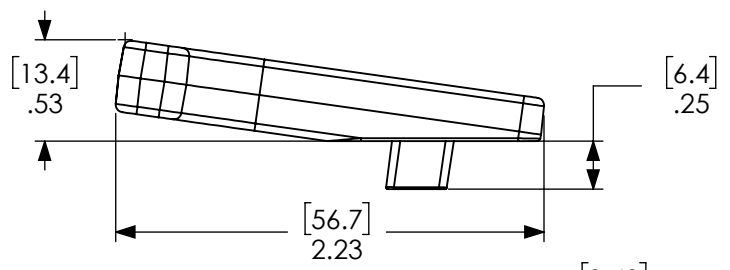
ANDERSON POWER PRODUCTS RESERVES THE RIGHT TO ALTER PRODUCT TYPES, THEIR TECHNICAL DATA, DIMENSION, STYLE AND ACCESSORIES WITHOUT PRIOR NOTIFICATION.



- NOTES:
- CONNECTORS SOLD SEPARATELY
  - KIT INCLUDES HANDLE AND (2) SELF-TAPPING SCREWS
  - MATERIALS:  
HANDLE - PBT  
SCREWS - STEEL, ZINC-PLATED



**PSB50 MOUNTING ORIENTATION**



**PSBS50 & PSBS75X MOUNTING ORIENTATION**

DIMENSIONS ARE IN:		INCH [MM]		<i>APPROVALS</i>		<b>ANDERSON POWER PRODUCTS</b>	
UNLESS OTHERWISE STATED				DRAWN	JYL	10/26/2016	TITLE
TOLERANCES:				CHECKED	CMS	10/26/2016	
DECIMALS (INCH)	DECIMALS (MM)	ANGLES		MKT APPRV	RW	10/26/2016	
.XX ±.02	.X ±.5	±2°		QC APPRV	UN	10/26/2016	
SURFACE FINISH:				ENG APPRV	CLY	10/26/2016	SIZE
MACHINED		128µin [3.2µ]		SIZE		A	DWG NO.
MOLDED		64µin [1.6µ]		REV.		0	115877S1
MATERIAL: SEE NOTES				SCALE		NONE	CADFILE
FINISH: SEE NOTES				SHEET		04851	1 OF 1
				-CAD GENERATED DRAWING- DO NOT MANUALLY UPDATE DO NOT SCALE			