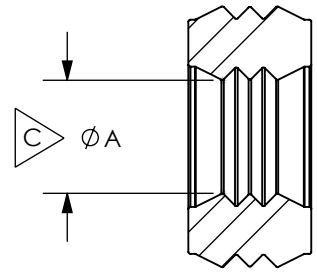


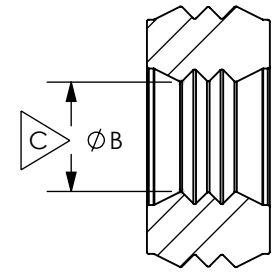
THE INFORMATION CONTAINED IN THIS DRAWING IS THE SOLE PROPERTY OF ANDERSON POWER PRODUCTS. ANY REPRODUCTION IN PART OR WHOLE WITHOUT THE WRITTEN PERMISSION OF ANDERSON POWER PRODUCTS IS PROHIBITED.

Copyright 2022

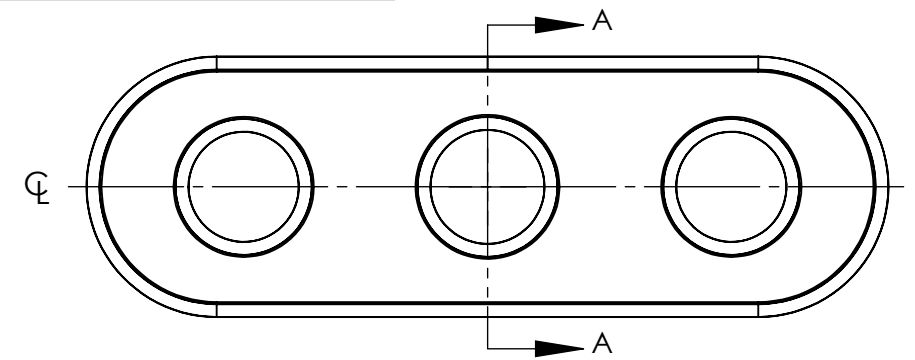
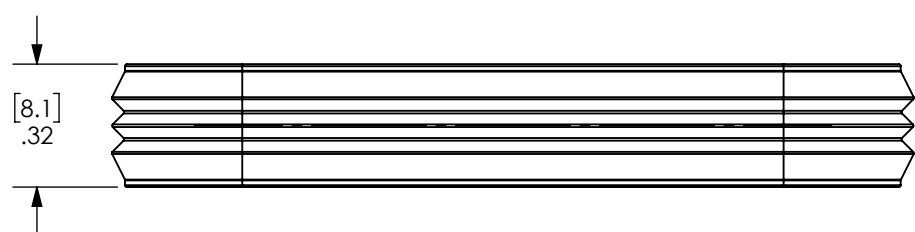
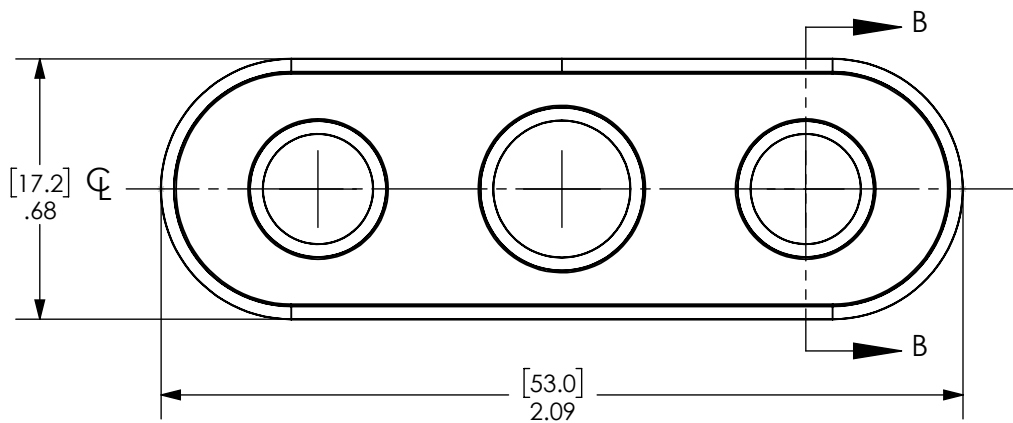
ANDERSON POWER PRODUCTS RESERVES THE RIGHT TO ALTER PRODUCT TYPES, THEIR TECHNICAL DATA, DIMENSION, STYLE AND ACCESSORIES WITHOUT PRIOR NOTIFICATION.



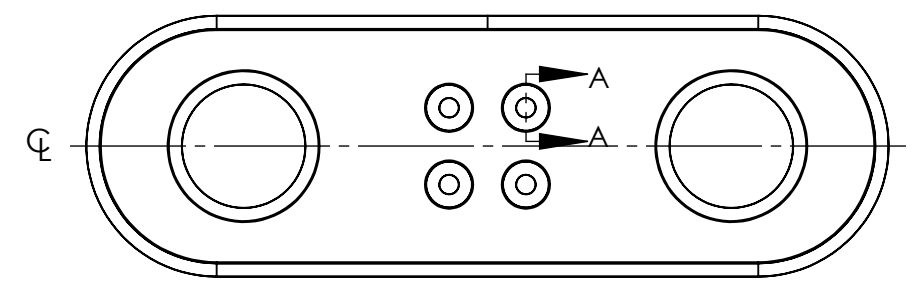
SECTION A-A  
SIGNAL WIRE HOLE(S)  
TYPE 1 (1 PLACE)  
TYPE 2 (4 PLACES)



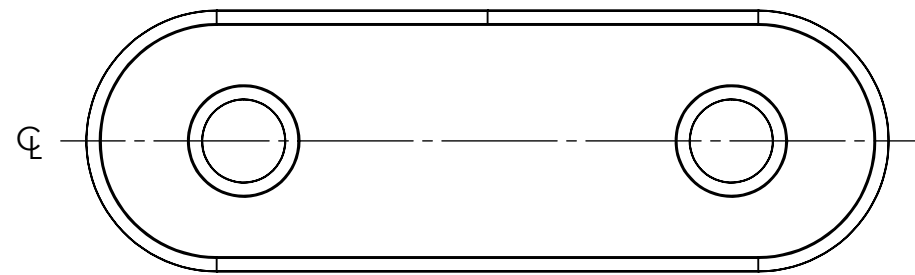
SECTION B-B  
POWER WIRE HOLE  
(2 PLACES)



TYPE 1  
(JACKETED CABLE)



TYPE 2  
(DISCRETE WIRES)



TYPE 3  
(NO SIGNAL)

PART NUMBER	POWER WIRE DIAMETER RANGE (ØB)	SIGNAL CABLE/WIRE SIZE DIAMETER RANGE (ØA)	TYPE
J-150-150	.150-.180 [3.81-4.57]	.150-.180 [3.81-4.57]	1
J-150-180	.150-.180 [3.81-4.57]	.180-.210 [4.57-5.33]	1
J-150-320	.150-.180 [3.81-4.57]	.320-.350 [8.13-8.89]	1
J-150-350	.150-.180 [3.81-4.57]	.350-.380 [8.89-9.65]	1
J-150-380	.150-.180 [3.81-4.57]	.380-.410 [9.65-10.41]	1
J-150-410	.150-.180 [3.81-4.57]	.410-.440 [10.41-11.18]	1
J-240-150	.240-.270 [6.10-6.86]	.150-.180 [3.81-4.57]	1
J-240-180	.240-.270 [6.10-6.86]	.180-.210 [4.57-5.33]	1
J-240-320	.240-.270 [6.10-6.86]	.320-.350 [8.13-8.89]	1
J-240-350	.240-.270 [6.10-6.86]	.350-.380 [8.89-9.65]	1
J-240-380	.240-.270 [6.10-6.86]	.380-.410 [9.65-10.41]	1
J-240-410	.240-.270 [6.10-6.86]	.410-.440 [10.41-11.18]	1
J-310-150	.310-.340 [7.87-8.64]	.150-.180 [3.81-4.57]	1
J-310-180	.310-.340 [7.87-8.64]	.180-.210 [4.57-5.33]	1
J-310-320	.310-.340 [7.87-8.64]	.320-.350 [8.13-8.89]	1
J-310-350	.310-.340 [7.87-8.64]	.350-.380 [8.89-9.65]	1
J-310-380	.310-.340 [7.87-8.64]	.380-.410 [9.65-10.41]	1
J-310-410	.310-.340 [7.87-8.64]	.410-.440 [10.41-11.18]	1
J-410-150	.410-.440 [10.41-11.18]	.150-.180 [3.81-4.57]	1
J-410-180	.410-.440 [10.41-11.18]	.180-.210 [4.57-5.33]	1
J-410-320	.410-.440 [10.41-11.18]	.320-.350 [8.13-8.89]	1
J-410-350	.410-.440 [10.41-11.18]	.350-.380 [8.89-9.65]	1
J-410-380	.410-.440 [10.41-11.18]	.380-.410 [9.65-10.41]	1
J-410-410	.410-.440 [10.41-11.18]	.410-.440 [10.41-11.18]	1
D-150-060	.150-.180 [3.81-4.57]	.060-.080 [1.52-2.03]	2
D-310-060	.310-.340 [7.87-8.64]	.060-.080 [1.52-2.03]	2
NS-150	.150-.180 [3.81-4.57]	N/A	3
NS-240	.240-.270 [6.10-6.86]	N/A	3
NS-310	.310-.340 [7.87-8.64]	N/A	3
NS-410	.410-.440 [10.41-11.18]	N/A	3

DIMENSIONS ARE IN:	INCH [MM]	APPROVALS		ANDERSON POWER PRODUCTS	
UNLESS OTHERWISE STATED		DRAWN	JWH	2/1/2022	TITLE <b>SBS@X-75A REAR GROMMET SALES DRAWING</b>
TOLERANCES:		CHECKED	CMS	3/25/2022	
DECIMALS (INCH)	DECIMALS (MM) ANGLES	MFG APPRV	CM	3/25/2022	
.XX ± .02	.X ± .5 ±.5°	QC APPRV	MV	3/29/2022	
SURFACE FINISH:		ENG APPRV	SH	3/25/2022	COA NO. 3332
MACHINED 128µin [3.2µ] ✓		FINISH:		SIZE	PROD. LINE
MOLDED 64µin [1.6µ] ✓		3rd ANGLE PROJECTION		B	SBS@X-75A
MATERIAL: SILICONE		-CAD GENERATED DRAWING- DO NOT MANUALLY UPDATE DO NOT SCALE		SCALE	DWG NO.
FINISH:		2:1		B	B02782S1
REV.		DESCRIPTION		REVISIONS	CADFILE
APPRV		DATE		05840	SHEET
REV. 1		DESCRIPTION		0	1 OF 1

REV.	DESCRIPTION	APPRV	DATE
1	REVISIONS		