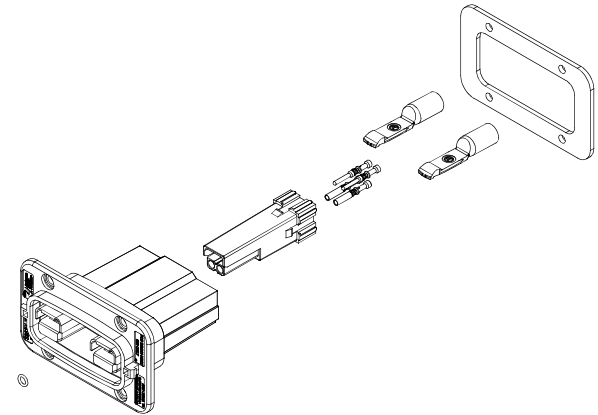


THE INFORMATION CONTAINED IN THIS DRAWING IS THE SOLE PROPERTY OF ANDERSON POWER PRODUCTS. ANY REPRODUCTION IN PART OR WHOLE WITHOUT THE WRITTEN PERMISSION OF ANDERSON POWER PRODUCTS IS PROHIBITED.

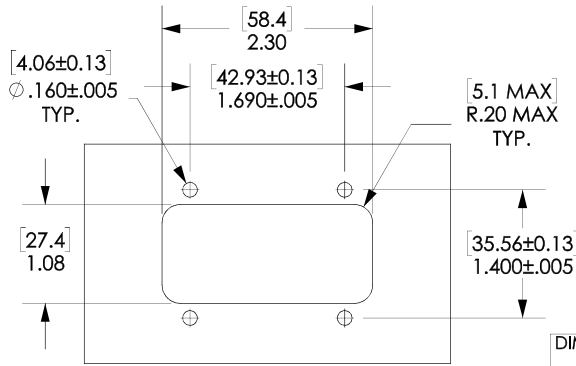
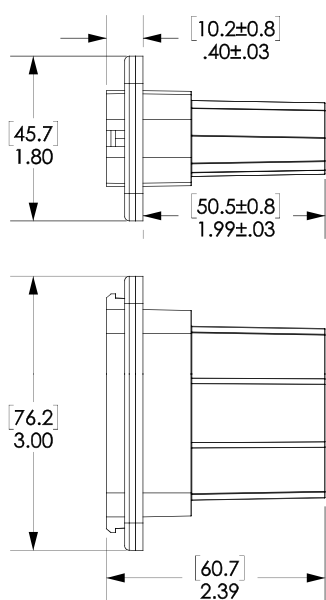
Copyright 2022

ANDERSON POWER PRODUCTS RESERVES THE RIGHT TO ALTER PRODUCT TYPES, THEIR TECHNICAL DATA, DIMENSION, STYLE AND ACCESSORIES WITHOUT PRIOR NOTIFICATION.

ITEM NUMBER	KIT PART NUMBER				KITS DESCRIPTION	
	SBSX75A-PMREC-KIT-RED	SBSX75A-PMREC-KIT-BLU	SBSX75A-PMREC-KIT-GRA	SBSX75A-PMREC-KIT-BLK	CONNECTOR KITS CONTAINING THE CONNECTOR ASSEMBLY, SIGNAL HOLDER, PANEL GASKET AND O-RINGS FOR MOUNTING HARDWARE. KIT PART NUMBER IS UNIQUE TO THE COLOR OF THE SIGNAL HOUSING.	
COMPONENT PART NUMBER	MATERIAL				PART DESCRIPTION	
1	SBSX75A-PMREC-BLK				PC/PBT	PANEL MOUNT RECEPTACLE HOUSING
2	2-8840P1	2-8840P2	2-8840P3	2-8840P4	PC	SIGNAL CONTACT HOUSING
COLOR	(RED)	(BLUE)	(GRAY)	(BLACK)	-	-
3	115233P14				SILICONE	HARDWARE O-RINGS
4	116008P1				NBR	PANEL MOUNT GASKET

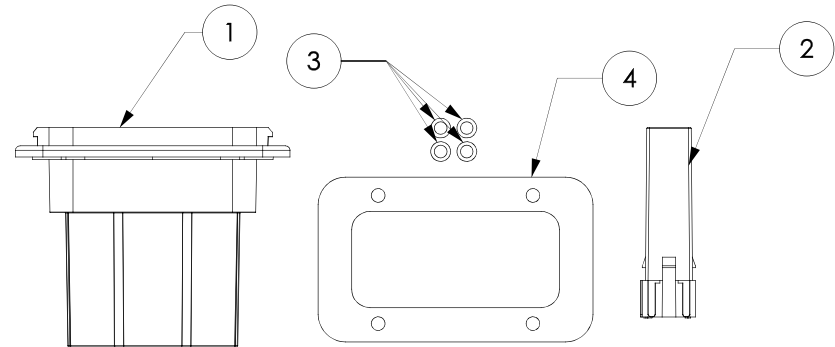


EXPLODED VIEW OF FULL ASSEMBLY
SCALE 1:3



RECOMMENDED PANEL MOUNT CUTOUT

- NOTES:
- ALL CONTACTS ARE SOLD SEPARATELY.
 - RECOMMENDED HARDWARE FOR MOUNTING TO BE WITHOUT TAPERED HEAD.



DIMENSIONS ARE IN:		INCH [MM]		APPROVALS		ANDERSON POWER PRODUCTS	
UNLESS OTHERWISE STATED				DRAWN		TITLE	
TOLERANCES:				JWH		2/1/2022	
DECIMALS (INCH)		DECIMALS (MM)		CHECKED		SEALED SBS@X - 75A	
.XX ± .02		.X ± .5		CMS		PANEL MOUNT RECEPTACLE	
		±2°		PM APPRV		CONNECTOR	
SURFACE FINISH:				CM		3/22/2022	
MACHINED 128µin [3.2µ]				QC APPRV		COA	
MOLDED 64µin [1.6µ]				UFN		3332	
MATERIAL:				ENG APPRV		PROD. LINE	
SEE TABLE				SH		SBS@X-75A	
FINISH:				3/11/2022		SIZE	
3rd ANGLE PROJECTION				-CAD GENERATED DRAWING- DO NOT MANUALLY UPDATE DO NOT SCALE		A	
				SCALE		DWG NO.	
				NONE		115990S1	
				SHEET		REV.	
				1 OF 1		0	

REV.	DESCRIPTION	APPRV	DATE
REVISIONS			