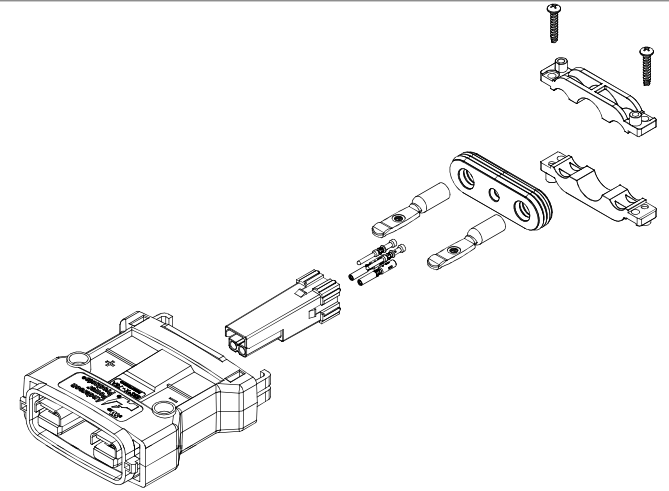


THE INFORMATION CONTAINED IN THIS DRAWING IS THE SOLE PROPERTY OF ANDERSON POWER PRODUCTS. ANY REPRODUCTION IN PART OR WHOLE WITHOUT THE WRITTEN PERMISSION OF ANDERSON POWER PRODUCTS IS PROHIBITED.

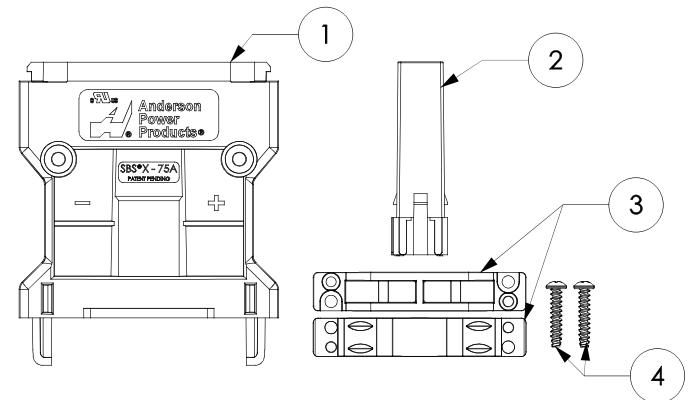
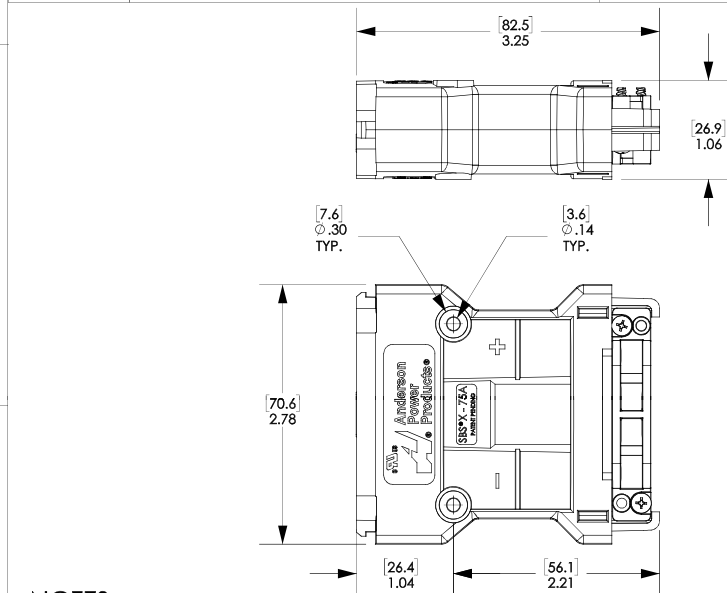
Copyright 2022

ANDERSON POWER PRODUCTS RESERVES THE RIGHT TO ALTER PRODUCT TYPES, THEIR TECHNICAL DATA, DIMENSION, STYLE AND ACCESSORIES WITHOUT PRIOR NOTIFICATION.

ITEM NUMBER	KIT PART NUMBER				MATERIAL	PART DESCRIPTION	QTY
	SBSX75A-REC-KIT-RED	SBSX75A-REC-KIT-BLU	SBSX75A-REC-KIT-GRA	SBSX75A-REC-KIT-BLK			
KITS DESCRIPTION							
CONNECTOR KITS CONTAINING THE CONNECTOR ASSEMBLY, SIGNAL HOLDER, CABLE CLAMPS AND CLAMP SCREWS. KIT PART NUMBER IS UNIQUE TO THE COLOR OF THE SIGNAL HOUSING.							
1	SBSX75A-REC-BLK				PC/PBT	RECEPTACLE HOUSING	1
2	2-8840P1	2-8840P2	2-8840P3	2-8840P4	PC	SIGNAL CONTACT HOUSING	1
COLOR	(RED)	(BLUE)	(GRAY)	(BLACK)	-	-	-
3	2-8841P1				PC/PBT	CABLE CLAMPS	2
4	H1120P62				STAINLESS STEEL	CABLE CLAMP SCREWS	2



EXPLODED VIEW OF FULL ASSEMBLY
SCALE 1:3



DIMENSIONS ARE IN:		INCH [MM]		APPROVALS		ANDERSON POWER PRODUCTS	
UNLESS OTHERWISE STATED							
TOLERANCES:				DRAWN	TITLE		SEALED SBS@X - 75A RECEPTACLE ASSEMBLY
DECIMALS (INCH)	DECIMALS (MM)	ANGLES		JWH			
.XX ± .02	.X ± .5	±2°		CHECKED	COA		PROD. LINE
SURFACE FINISH:				CMS			
MACHINED 128µin [3.2µ]				PM APPRV	CM		3332
MOLDED 64µin [1.6µ]				CM			
MATERIAL:				QC APPRV	MV		SBS@X-75A
SEE TABLE				MV			
FINISH:				ENG APPRV	JYL		SIZE
				JYL			
SCALE		CADFILE		SHEET			
NONE		05466		1 OF 1			

- NOTES:**
- ALL CONTACTS ARE TO BE SOLD SEPARATELY.
 - SEALING GROMMET SOLD SEPARATELY.

REV.	DESCRIPTION	APPRV	DATE
REVISIONS			