

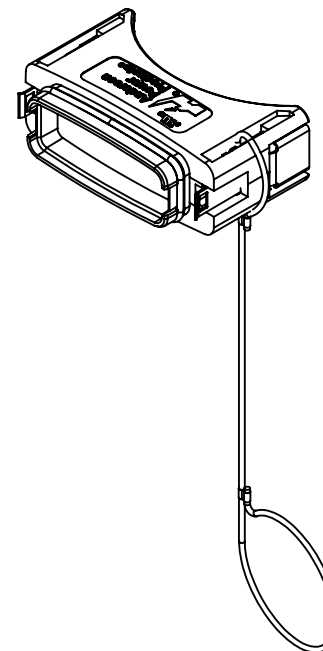
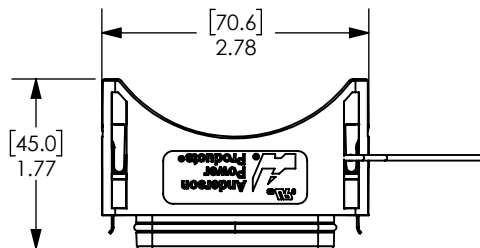
THE INFORMATION CONTAINED IN THIS DRAWING IS THE SOLE PROPERTY OF ANDERSON POWER PRODUCTS. ANY REPRODUCTION IN PART OR WHOLE WITHOUT THE WRITTEN PERMISSION OF ANDERSON POWER PRODUCTS IS PROHIBITED.

Copyright 2022

ANDERSON POWER PRODUCTS RESERVES THE RIGHT TO ALTER PRODUCT TYPES, THEIR TECHNICAL DATA, DIMENSION, STYLE AND ACCESSORIES WITHOUT PRIOR NOTIFICATION.

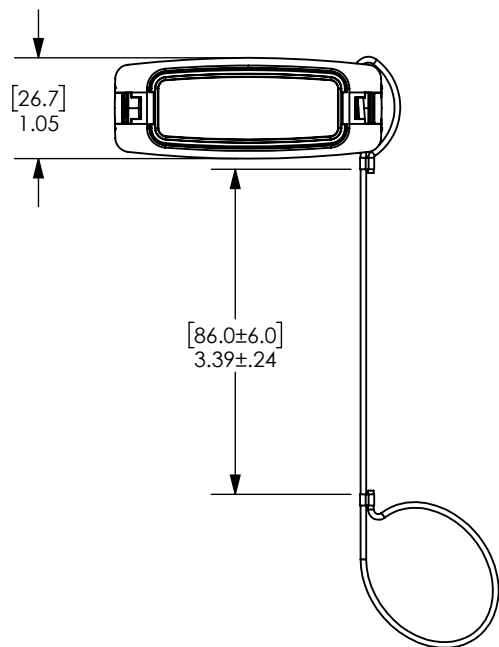
D

D



C

C



Assembly P/N	Description
SBSX75A-REC-COVER	SBS@X-75A RECEPTACLE COVER W/ LANYARD

B

B

A

A

NOTES

1. COVER AND LANYARD USE PER ASSEMBLY INSTRUCTIONS 1S6859

DIMENSIONS ARE IN:		INCH [MM]		APPROVALS		ANDERSON POWER PRODUCTS			
UNLESS OTHERWISE STATED									
TOLERANCES:		DRAWN		4/14/2022		TITLE SBS@X-75A RECEPTACLE COVER			
DECIMALS (INCH)	DECIMALS (MM)	ANGLES	AJL						
.XX ± .02	.X ± .5	±2°	CHECKED	4/22/2022					
SURFACE FINISH:			PM APPRV	4/25/2022					
MACHINED 128µin [3.2µ]			CM	4/26/2022		COA 4408			
MOLDED 64µin [1.6µ]			QC APPRV	4/22/2022		PROD. LINE SBS@X-75A			
MATERIAL:				ENG APPRV	4/22/2022		SIZE A	DWG NO. 116093S1	REV. 0
PC/PBT W/ NYLON LANYARD				SH			SCALE NONE	CADFILE 05900	SHEET 1 OF 1
FINISH: N/A				-CAD GENERATED DRAWING- DO NOT MANUALLY UPDATE DO NOT SCALE					

REV.	DESCRIPTION	APPRV	DATE
REVISIONS			